



GOLD MEDAL® PRODUCTS CO.

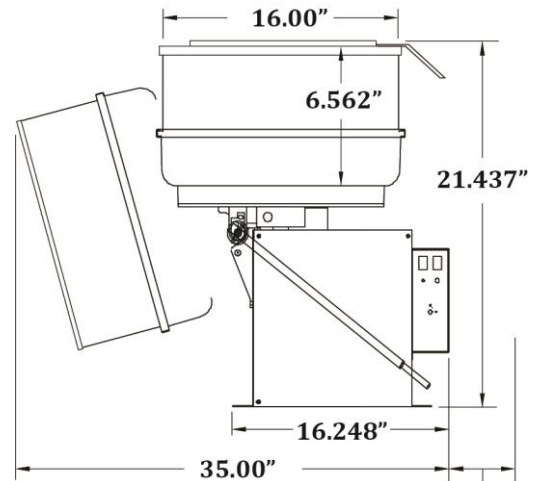
Pralinator

Model No. 2180ER

Specifications

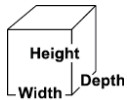


3" Minimum Clearance
between Kettle and Wall.



6" Recommended Min. Clearance
between wall and Cntl Box for Service.

General RH Unit shown above for dim. reference.



Overall Dimensions:

Width: 35"
Depth: 17.25"
Height: 21.437"

Reference drawing shown for additional dimensions and clearances required.

Electrical - Domestic

120V
1836 WATTS 60 Hz
(NEMA 5-20P) Plug

Features:

- Yields 2 to 2.5 lbs. finished product per batch (120V unit)
- Right Hand Dump
- Electronic Temperature Control
- Cast Aluminum Kettle with Stainless Steel Drum

Plug Type:



NEMA 5-20P

Agency Approvals:



LISTED



Gold Medal Products Co.
10700 Medallion Drive, Cincinnati, OH 45241

Ph: (513) 769-7676, (800) 543-0862; Fax: (513) 769-8500
gmpopcorn.com info@gmpopcorn.com