



GOLD MEDAL® PRODUCTS CO.

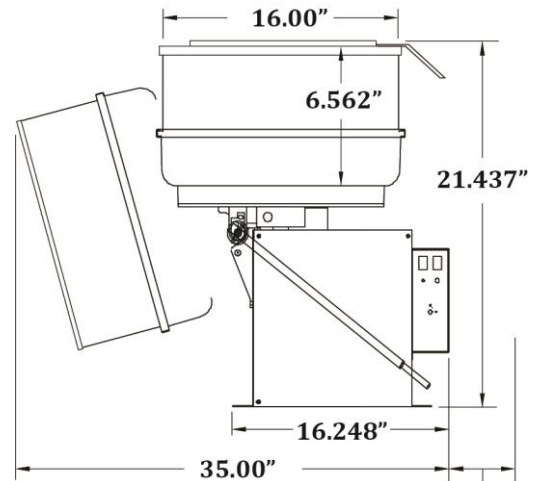
Pralinator

Model No. 2181EL

Specifications

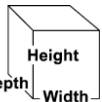


**3" Minimum Clearance
between Kettle and Wall.**



**6" Recommended Min. Clearance
between wall and Cntl Box for Service.**

General RH Unit shown above for dim. reference.



Overall Dimensions:

Width: 35"
Depth: 17.25"
Height: 21.437"

Reference drawing shown for additional dimensions and clearances required.

Electrical - Domestic

120/208 OR 120/240V
3408 WATTS 60 Hz
(NEMA L14-20P) Plug

Unit designed to operate on single phase, 20 AMP, 4 wire supply (2 Hot, 1 Neutral, 1 Ground). Wall receptacle is supplied with unit.

Features:

- Yields 4 to 4.5 lbs. finished product per batch
- Left Hand Dump
- Electronic Temperature Control
- Cast Aluminum Kettle with Stainless Steel Drum

Plug Type: **Agency Approvals:**



Gold Medal Products Co.
10700 Medallion Drive, Cincinnati, OH 45241

Ph: (513) 769-7676, (800) 543-0862; Fax: (513) 769-8500
gmpopcorn.com info@gmpopcorn.com