



**GOLD MEDAL® PRODUCTS CO.**

# Combo Kandy King - LH

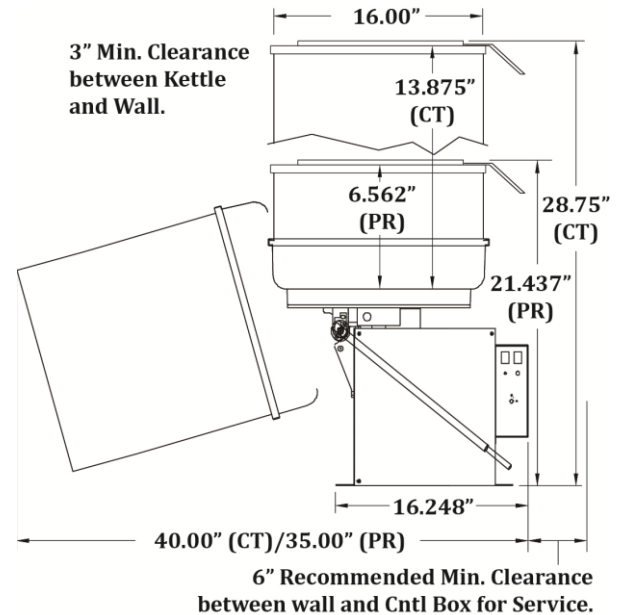
Model No. 2182EL

## Specifications

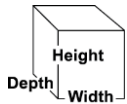


Pralinator Paddle and Drum

Corn Treat Drum shown mounted on unit



General RH Unit shown above for dim. reference.



### Overall Dimensions:

**Width:** 40"  
**Depth:** 17.25"  
**Height:** 28.75"

Reference drawing shown for additional dimensions and clearances required.

### Electrical - Domestic

120/208 OR 120/240V  
3408 WATTS 60 Hz  
(NEMA L14-20P) Plug

Unit designed to operate on single phase, 20 AMP, 4 wire supply (2 Hot, 1 Neutral, 1 Ground). Wall receptacle is supplied with unit.

### Features:

- Combination Unit - Mark 5 Corn Treat (5 gallon capacity, 3-4 batches/hour), and Pralinator (yields 4 to 4.5 lbs. finished product per batch)
- Left Hand Dump
- Electronic Temperature Control with Digital Display - switches between Carmel Corn and Frosted Nuts
- Unit supplied with paddles and drums for both Carmel Corn and Frosted Nuts
- Cast Aluminum Kettle with Stainless Steel Drum

**Plug Type:**



**Agency Approvals:**



**Gold Medal Products Co.**  
10700 Medallion Drive, Cincinnati, OH 45241

Ph: (513) 769-7676, (800) 543-0862; Fax: (513) 769-8500  
gmpopcorn.com info@gmpopcorn.com