

PRODUCT:

QUANTITY:

ITEM:

## Designed Smart

### Leader in “Hot and Fresh” Food Equipment!

- APW Wyott has a wide variety of “Hot and Fresh” Food equipment and the best supporting elements in refrigerated or heated dispensers, pumps and condiment Stations.
- The Mr. Frank Hot Dog Display Steamer, when combined with the Condiment Serving Station, is unmatched in building impulse sales and “Hot and Fresh” Food profits.
- Mr. Frank Hot Dog Display Steamer features eye-catching hot dog graphics with the “Hot and Fresh” theme.

### Designed to Deliver Great Tasting Hot Dogs!

- Heating system can cook hot dogs fast and can hold them at NSF safe temperatures for serving customers.
- Divided steaming pan allows control of steam levels for hot dogs vs. buns.

### Easy to Operate and Maintain!

- Steamer heats quickly and has a fast recovery for unexpected surges in hot dog demand.
- Steamer is designed to require minimal labor: Operator can easily access hot dogs and buns through rear doors that open wide.
- Stainless steel interiors and exteriors are easy to clean.
- Steamer has built-in “easy to remove” drip tray for easy cleaning.
- Drain valve provided to remove excess water in steam tanks.
- Available as pass through.



Model: DS-1A Hot Dog Display Steamer

## Reliability backed by APW Wyott's Warranty

All APW Wyott Hot Dog Equipment is backed by a 1-year limited warranty and a 1-year on-site labor warranty.

•Certified by the following agencies:



## APW Wyott Design Features

- Cabinet is constructed of stainless steel for maximum durability.
- Display window is made of tempered glass.

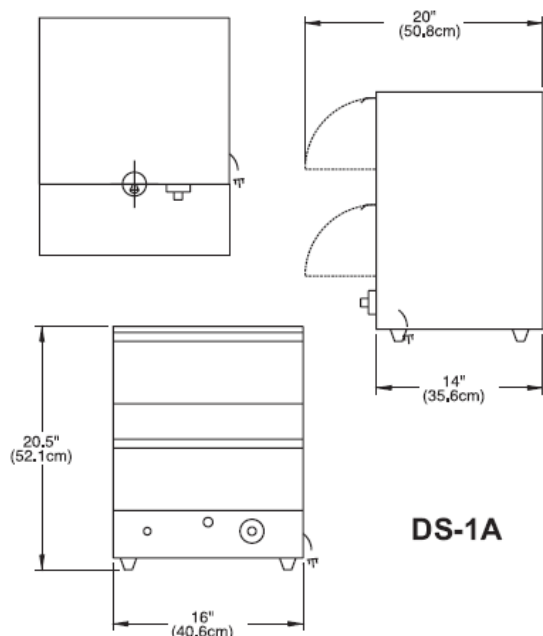
\*Warranty does not include rock grates, cooking grates, burners shields or fireboxes.

See reverse side for product specifications.

PRODUCT:

QUANTITY:

ITEM:



## PRODUCT SPECIFICATION

### Construction:

Stainless steel interior and exterior, tempered glass and 1" adjustable legs.

### Electrical Information:

Each 120 unit is equipped with at least 60" three grounded power cord which terminates with a standard three-pronged male plug. The 120V unit utilizes a NEMA 5-15P plug. The 240V and 230V units are provided with a 60" power cord with no plug.

### Electrical Specifications:

120V, 800W, 6.7 Amps  
240V, 800W, 3.3 Amps  
230V, 735W, 3.2 Amps

### Overall Dimensions:

20 1/2"H x 16"W x 14"D  
(52 cm x 40.6 cm x 35.6 cm)

### Capacity:

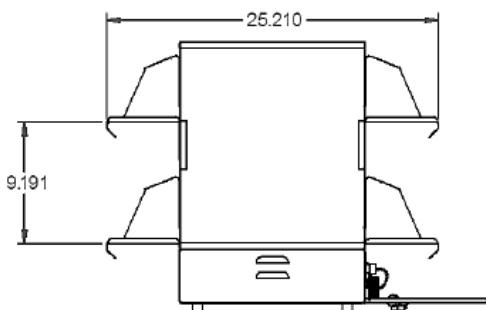
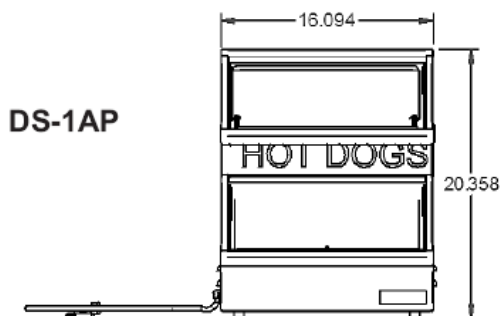
Up to 150 standard hot dogs  
Up to 60 standard hot dog buns

### Shipping Weight:

DS-1A 36 lbs (16.3 kg)  
DS-1AP 42 lbs (19.3 kg)

FOB: Allen, TX 75013

CLASS: 100



\*APW Wyott reserves the right to modify specifications or discontinue models without incurring obligation.