

Water filter systems

carbon and carbonless accessories



Features

Two systems to choose – Carbon or carbonless

Capacities to choose – 3,000 or 15,000 gal (11,340 or 56,700 l) for carbon or 15,000 gal (56,700 l) for carbonless

All systems includes pre-filter, primary filter, pressure gauge and wall mounting bracket

Carbon filters

- includes silver-based antimicrobial product protection of key water contact components¹
- removes chlorine, off-tastes and odors

Cleaner ice and water with all filters

- includes Micro-pure® II media (item# 00130229) or Fibredyne™ media (item# 00978957), both featuring antimicrobial product protection to inhibit the growth of biofilm and enhance filter performance¹
- traps dirt as small as 0.5 micron in size
- advanced filtration system filters out parasitic cysts
- certified to ANSI/NSF standards 42 and 53

Improve ice machine performance

- dramatically reduces the most common water-related ice machine problems to keep ice machines functioning at full capacity
- reduces scale build-up from dirt and minerals in the water
- removes dirt and abrasive particles that can damage ice machine
- saves energy and reduces downtime

Space-saving design

- all systems can be mounted in areas as small as 14.75" (45.0 cm) wide by 21.00" (53.3 cm) high or out of the way below standard 34.00" - 36.00" (86.4 cm - 91.4 cm) counters

Pre-filter system saves money

- economical pre-filter filters out large particles and extends life of primary filter

Filter system compatibility	Filter system	Capacity – gal (l)	Item number
Symphony™ & Symphony Plus™ ice and water dispensers, Maestro™ & Maestro Plus™ ice machines	Carbon	standard – 3,000 (11,340)	00130229
Symphony & Symphony Plus ice and water dispensers, Maestro & Maestro Plus ice machines, Horizon & Horizon Elite ice machines	Carbon	high capacity – 15,000 (56,700)	00978957
Symphony & Symphony Plus ice and water dispensers, Maestro & Maestro Plus ice machines, Horizon & Horizon Elite ice machines	Carbonless	high capacity – 15,000 (56,700)	01050442

Replacement cartridge description	Filter system	Unit	Item number
primary filter, standard capacity	Carbon	carton of 6	00954297
		single	00130245
primary filter, high capacity	Carbon	carton of 6	00978973
		single	00978965
primary filter, high capacity	Carbonless	carton of 6	01050434
		single	01050426
pre-filter	Carbon & Carbonless	carton of 12	00954305
		single	00130211

Job

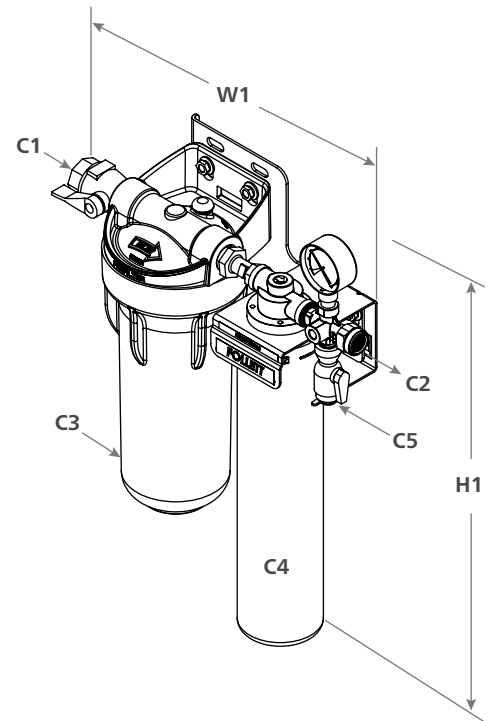
Item

Specification

W1 Width	14.25" (36.2 cm)
Depth	6.00" (15.24 cm)
H1 Height	18.50" (47.0 cm)
Service clearance	2.50" (6.35 cm) at bottom for cartridge removal
C1 Water inlet	3/4" FNPT (3/8" reducer bushing included with system)
C2 Water outlet	3/8" FNPT
C3 Pre-filter	10 micron capable
C4 Primary filter	0.5 micron capable
C5 Flushing valve	
Capacity	<p>Carbon Standard – 3,000 gal (11,340 l) High capacity – 15,000 gal (56,700 l)</p> <p>Carbonless High capacity – 15,000 gal (56,700 l)</p>
Flow rate	<p>Carbon Standard – 0.5 gpm (1.89 lpm) High capacity – 2.5 gpm (9.46 lpm)</p> <p>Carbonless High capacity – 2.0 gpm (7.57 lpm)</p>
Water temperature	40 - 90 F (5 - 32 C)
Water pressure	10 - 125 psi (69 - 860 kpa)
Carbon NSF International ISS capable standard no. 42	<p>Aesthetic effects – Chemical reduction: taste & odor and chlorine reduction, Mechanical filtration: particulate reduction, class 1: 99.9% reduction of particles 0.5 micron and larger in size</p>
Carbonless NSF International standard no. 42	Mechanical filtration: nominal particulate reduction, class I
Carbon NSF International standard no. 53	<p>Health effects – Mechanical filtration: Cyst reduction, Turbidity reduction (high capacity, item# 00978957, only)</p>
Carbonless NSF International standard no. 53	<p>Health effects – Mechanical filtration: Cyst reduction</p>
Approximate ship weight	15 lb (7 kg)

NOTE: For indoor use only. Check for compliance with state and local laws and regulations. Do not use any filtration system where the water is microbiologically unsafe or with water of unknown quality without adequate disinfection before or after the unit. May be used with disinfected water where filterable cysts may be present.

Dimensional drawing



¹ Disclaimer: Antimicrobial protection is limited to the treated components and does not treat water. Everpure and Micro-Pure II are registered trademarks of Everpure, a division of Pentair Foodservice. Fibredyne is a trademark of Pentair Filtration Solutions, LLC, Hanover Park, IL, USA. Horizon, Horizon Elite, Maestro, Maestro Plus, Symphony, and Symphony Plus are trademarks of Follett LLC. Follett is a registered trademark of Follett LLC, registered in the US. Follett reserves the right to change specifications at any time without obligation. Certifications may vary depending on country of origin.

Water filter system accessories