



Project \_\_\_\_\_

Item # \_\_\_\_\_

Quantity \_\_\_\_\_

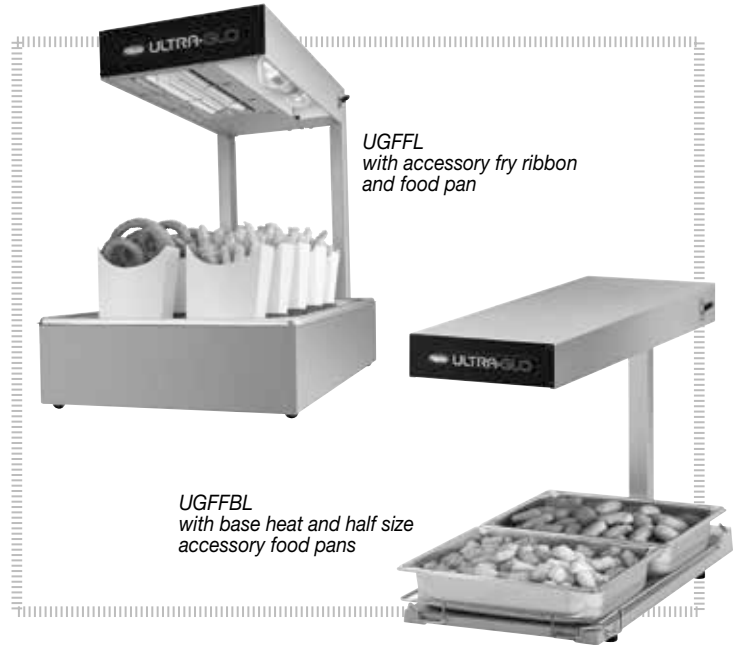
# Ultra-Glo® Portable Foodwarmers

Models: UGFF, UGFFL, UGFFB, UGFFBL

Hatco Ultra-Glo Portable Foodwarmers keep food hot at kitchen work areas, waitress pickup stations or customer serving points. Available in models and sizes to meet every food warming need.

## Standard features

- Ceramic heating elements provide more distance between the heat source and the holding pan
- The distance, combined with the compact element housing, makes it easier to access the product while maintaining proper food temperatures
- Models include heat above the food, with optional base heat
- Hatco can custom design portable foodwarmers to meet customer specifications or to fit an unusual situation
- UGFF and UGFFL include a pan skirt for 12 x 20 pans
- Factory pre-wired with a 6' (1829 mm) cord and plug
- Ceramic heating elements guaranteed against burnout for one year



## Options (available at time of purchase only)

- Designer Colors (One color per unit, heated base is not powdercoated)
  - Warm Red     Black     Gray Granite     White Granite
  - Navy Blue     Hunter Green     Antique Copper
- Gloss Finishes (One color per unit, heated base is not powdercoated)
  - Gleaming Gold     Glossy Gray     Bold Black     Radiant Red
  - Brilliant Blue
- Halogen Bulb

## Accessories

- 5 Pleat Hardcoated French Fry Box Ribbon
- 8 Pleat Hardcoated French Fry Bag Ribbon
- Food Holding Pans
- Wire Trivets

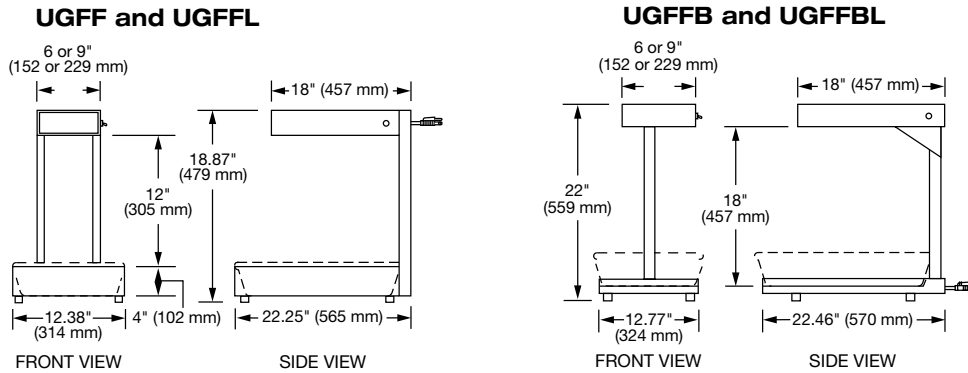


HATCO CORPORATION | P.O. Box 340500 Milwaukee, WI 53234-0500 U.S.A. | (800) 558-0607 | (414) 671-6350  
 Fax: (800) 543-7521 | Int'l. Fax: (414) 671-3976 | www.hatcocorp.com | email: equipsales@hatcocorp.com



# Ultra-Glo® Portable Foodwarmers

Models: UGFF, UGFFL, UGFFB, UGFFBL



## SPECIFICATIONS Ultra-Glo® Portable Foodwarmers

The shaded areas contain electrical information for International models only

Model	Dimensions (Width x Depth x Height)	Volts	Phase	Watts	Amps	Plug	Ship Weight*
UGFF	12.38" x 22.25" x 18.87" (314 x 565 x 479 mm)	100	Single	625	6.3	NEMA 5-15P	15 lbs. (7 kg)
		120		750	6.3	NEMA 5-15P	
		220		630	2.8	CEE 7/7 Schuko	
		240		750	3.1	BS-1363	
		220-230 (CE)		630-689	2.9-3.0	CEE 7/7 Schuko	
		230-240 (CE)		689-750	3.0-3.1	BS-1363	
UGFFL	12.38" x 22.25" x 18.87" (314 x 565 x 479 mm)	100	Single	708	7.1	NEMA 5-15P	19 lbs. (9 kg)
		120		870	7.3	NEMA 5-15P	
		220		730	3.3	CEE 7/7 Schuko	
		240		870	3.6	BS-1363	
		220-230 (CE)		730-799	3.3-3.5	CEE 7/7 Schuko	
		230-240 (CE)		799-870	3.5-3.6	BS-1363	
UGFFB	12.77" x 22.46" x 22" (324 x 570 x 559 mm)	100	Single	875	8.8	NEMA 5-20P	26 lbs. (12 kg)
		120		1000	8.3	NEMA 5-15P	
		220		840	3.8	CEE 7/7 Schuko	
		240		1000	4.2	BS-1363	
		220-230 (CE)		840-919	3.8-4.0	CEE 7/7 Schuko	
		230-240 (CE)		919-1000	4.0-4.2	BS-1363	
UGFFBL	12.77" x 22.46" x 22" (324 x 570 x 559 mm)	100	Single	959	9.6	NEMA 5-15P	31 lbs. (14 kg)
		120		1120	9.3	NEMA 5-15P	
		220		940	4.3	CEE 7/7 Schuko	
		240		1120	4.7	BS-1363	
		220-230 (CE)		940-1029	4.3-4.5	CEE 7/7 Schuko	
		230-240 (CE)		1029-1120	4.5-4.7	BS-1363	

\*Shipping weight includes packaging.

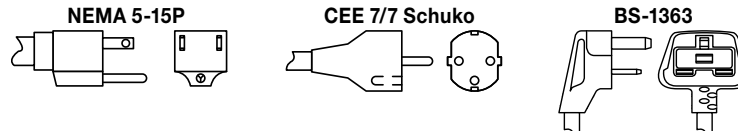
Note: Models with "L" contain two incandescent lights. The housing is 9" (229 mm) wide versus 6" (152 mm) without lights.

Note: Models with "B" include a thermostatically pre-set heated base.

### CORD LOCATION

UGFF, UGFFL: Back, upper middle.  
UGFFB, UGFFBL: Back, lower middle.

### PLUG CONFIGURATIONS



### PRODUCT SPECS Portable Foodwarmer

The Portable Foodwarmer shall be an Ultra-Glo®, manufactured by the Hatco Corporation, Milwaukee, WI 53234 U.S.A.

The Foodwarmer shall be an Ultra-Glo Model ... , rated at ... watts, ... volts, single phase and be ... inches (millimeters) in overall width.

The Ultra-Glo shall consist of an aluminum housing and include a ceramic heating element and a 6' (1829 mm) cord with plug attached.

Accessories shall include food holding pans, trivets, and fry ribbons.

Comes with 24/7 parts and service assistance (U.S. and Canada only).

HATCO CORPORATION | P.O. Box 340500 Milwaukee, WI 53234-0500 U.S.A. | (800) 558-0607 | (414) 671-6350

Fax: (800) 543-7521 | Int'l. Fax: (414) 671-3976 | www.hatcocorp.com | email: equipsales@hatcocorp.com