



Project _____
 Item # _____
 Quantity _____

Glo-Ray® Designer Infrared Aluminium Strip Heaters with Lights

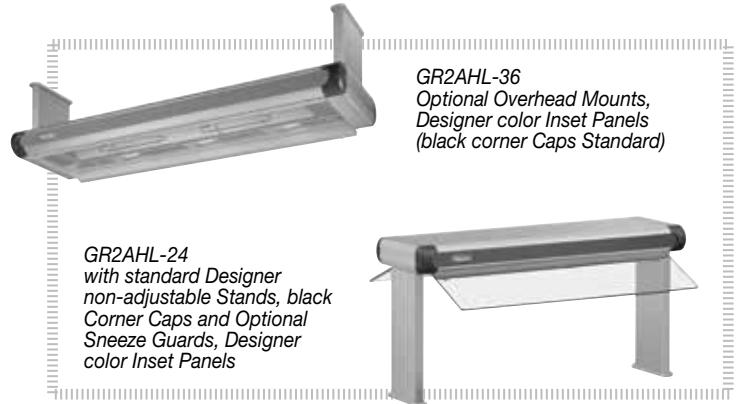
Models:

GR2AL -18, -24, -30, -36, -42, -48, -54, -60, -66, -72, -84
 GR2AHL-18, -24, -30, -36, -42, -48, -54, -60, -66, -72, -84

Hatco Glo-Ray® Infrared Aluminum *Designer* Strip Heaters with lights safely keep all hot foods at optimum serving temperatures longer. This modern design is ideal for front-of-the-house use. Units are offered in continuous housings up to 84" (2134 mm), are available in *Designer* colors to match most décors.

Standard features

- Pre-focused heat maintains safe serving temperatures longer without continuing to cook the food
- Sturdy continuous aluminum housings eliminate sagging
- Widths from 21.5" to 87.5" (546 X 2223 mm)
- 14" (356 mm) *Designer* non-adjustable Stands Standard
- Available in a variety of models, configurations, colors and accessories to provide unlimited flexibility
- *Designer* colors and inset panels allow the unit to match surrounding décor
- Black corner caps and inset panels standard
- Standard coated shatter-resistant incandescent or optional halogen lights enhance product displays while safeguarding food from bulb breakage
- Optional sneeze guards
- Remote control installation is required - must chose RMB
- Additional reflector styles and lower wattage elements available, consult factory for more information



GR2AHL-36
 Optional Overhead Mounts,
 Designer color Inset Panels
 (black corner Caps Standard)

GR2AHL-24
 with standard Designer
 non-adjustable Stands, black
 Corner Caps and Optional
 Sneeze Guards, Designer
 color Inset Panels

Options (available at time of purchase only)

- Housing – 12" (305 mm)
Designer Color – Aluminum finish standard†
 Warm Red Black Gray Granite White Granite
 Navy Blue Hunter Green Antique Copper
- Inset Panel *Designer* color – Black standard†
 Warm Red Black Gray Granite White Granite
 Navy Blue Hunter Green Antique Copper
- Corner Caps *Designer* color, Black standard†
 Black Dark Gray
- No Control (GR2AL only) – requires selection of RMB2-xx control
- Remote Box, *Designer* color – Aluminum finish Standard†
 Warm Red Black Gray Granite White Granite
 Navy Blue Hunter Green Antique Copper
- Sneeze Guards
 7.5" (191 mm) – One Side 7.5" (191 mm) – Two Sides
 14" (356 mm) – One Side 14" (356 mm) – Two Sides
- Designer* Non-Adjustable Stands – 14" (356 mm) *Designer* Stand standard
 10" (254 mm) 12" (305 mm) 16" (406 mm)
Designer Color – Aluminum finish standard†
 Warm Red Black Gray Granite White Granite
 Navy Blue Hunter Green Antique Copper
- Overhead Mounts 4" (102 mm) in lieu of 14" (356 mm) standard Stands
Designer Color – Aluminum finish standard†
 Warm Red Black Gray Granite White Granite
 Navy Blue Hunter Green Antique Copper
- No Bulbs
- Extra Lamps – Installed (max. two per ft. less one – one per ft. is standard)
- Extended Power (Electrical) Leads
 1'-5' (305-1525 mm) 6'-10' (1829-3048 mm)
 11'-15' (3352-4572 mm) 16'-20' (4877-6096 mm)

Accessories

- ChefLED bulb 120V
 2700K Warm Light 3000K Warm Light 4000K Cool Light

†Non-standard color are non-returnable

For operation, location and safety information, please refer to the Installation & Operating Manual.



HATCO CORPORATION | P.O. Box 340500 Milwaukee, WI 53234-0500 U.S.A.
 (800) 558-0607 | (414) 671-6350 | www.hatcocorp.com | support@hatcocorp.com

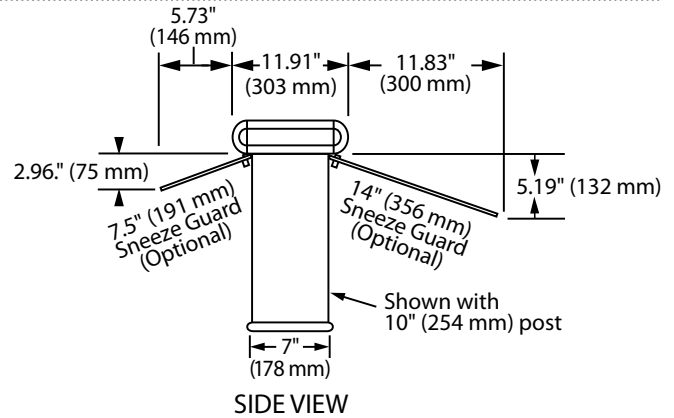
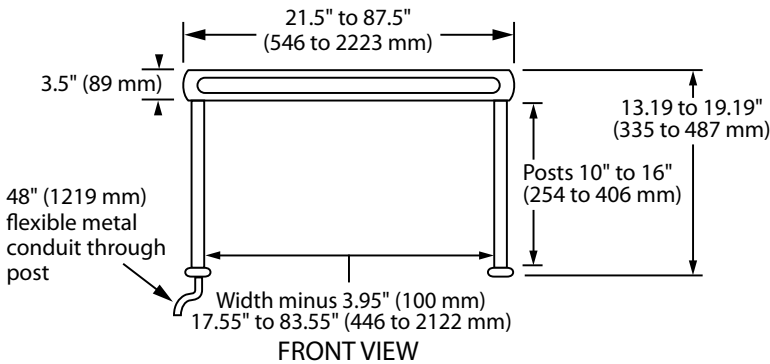


Glo-Ray® Infrared Designer Aluminum Strip Heaters with Lights

Models: GR2AL -18, -24, -30, -36, -42, -48, -54, -60, -66, -72, -84

GR2AHL-18, -24, -30, -36, -42, -48, -54, -60, -66, -72, -84

GR2AL and GR2AHL



SPECIFICATIONS Glo-Ray® Infrared Designer Aluminum Strip Heaters with Lights Dimensions (without Non-Adjustable Stands)

■ Shaded areas contain electrical information for International models only

Standard Watt				High Watt				Both Models	
Model	Volts (single phase)	Watt	Amps	Model	Volts (single phase)	Watt	Amps	Width x Depth x Height	Ship Weight ⇄
GR2AL-18	120	370	3.1	GR2AHL-18	120	470	3.9	21.5" x 11.91" x 3.5" (546 x 303 x 89 mm)	28 lbs. (13 kg)
	120/208		2.2		2.7				
	120/240		2.0		2.5				
	220-230 (CE)*	350-383	1.6-1.7		450-492	2.0-2.1			
	230-240 (CE)*	340-370	1.5-1.5		432-470	1.9-2.0			
GR2AL-24	120	470	3.9	GR2AHL-24	120	620	5.2	27.5" x 11.91" x 3.5" (699 x 303 x 89 mm)	32 lbs. (15 kg)
	120/208		2.7		3.4				
	120/240		2.5		3.1				
	220-230 (CE)*	450-492	2.0-2.1		600-656	207-2.9			
	230-240 (CE)*	432-470	1.9-2.0		569-620	2.5-2.6			
GR2AL-30	120	570	4.8	GR2AHL-30	120	780	6.5	33.5" x 11.91" x 3.5" (851 x 303 x 89 mm)	35 lbs. (16 kg)
	208		3.2		4.2				
	240		2.9		3.8				
	220-230 (CE)*	550-601	2.5-2.6		760-831	3.5-3.6			
	230-240 (CE)*	523-570	2.3-2.4		716-780	3.1-3.3			
GR2AL-36	120	755	6.3	GR2AHL-36	120	980	8.2	39.5" x 11.91" x 3.5" (1003 x 303 x 89 mm)	37 lbs. (17 kg)
	120/208		4.3		5.3				
	120/240		3.9		4.8				
	220-230 (CE)*	725-792	3.3-3.4		950-1038	4.3-4.5			
	230-240 (CE)*	693-755	3.0-3.1		900-980	3.9-4.1			
GR2AL-42	120	855	7.1	GR2AHL-42	120	1130	9.4	45.5" x 11.91" x 3.5" (1156 x 303 x 89 mm)	53 lbs. (24 kg)
	120/208		4.7		6.1				
	120/240		4.3		5.5				
	220-230 (CE)*	825-902	3.8-3.9		1100-1202	5.5-5.2			
	230-240 (CE)*	785-855	3.4-3.6		1038-1130	4.5-4.7			
GR2AL-48	120	1040	8.7	GR2AHL-48	120	1340	11.2	51.5" x 11.91" x 3.5" (1308 x 303 x 89 mm)	64 lbs. (29 kg)
	120/208		5.8		7.3				
	120/240		5.3		6.6				
	220-230 (CE)*	1000-1093	4.6-4.8		1300-1421	5.9-6.2			
	230-240 (CE)*	955-1040	4.2-4.3		1231-1340	5.4-5.6			
GR2AL-54	120	1165	9.7	GR2AHL-54	120	1490	12.4	57.5" x 11.91" x 3.5" (1460 x 303 x 89 mm)	74 lbs. (34 kg)
	120/208		6.4		8.0				
	120/240		5.9		7.2				
	220-230 (CE)*	1125-1230	5.1-5.3		1450-1585	6.6-6.9			
	230-240 (CE)*	1070-1165	4.7-4.9		1368-1490	5.9-6.2			

⇄ Shipping weight includes packaging, and does not include RMB, must order an RMB.

▲ 120 volt models require additional switches and tandem (end-to-end) elements.

▼ 120 volt models with infinite controls require additional switch(es) and tandem (end-to-end) elements.

NOTE: Units rated for 120/208 or 120/240 volt are manufactured with a 120 volt circuit for the incandescent lights and a 208 or 240 volt circuit for the heating element(s).

HATCO CORPORATION | P.O. Box 340500 Milwaukee, WI 53234-0500 U.S.A.
(800) 558-0607 | (414) 671-6350 | www.hatcocorp.com | support@hatcocorp.com



Glo-Ray® Infrared Designer Aluminum Strip Heaters with Lights

Models: GR2AL -18, -24, -30, -36, -42, -48, -54, -60, -66, -72, -84
 GR2AHL-18, -24, -30, -36, -42, -48, -54, -60, -66, -72, -84

SPECIFICATIONS Glo-Ray® Infrared Designer Aluminum Strip Heaters with Lights Dimensions (without Non-Adjustable Stands)

■ Shaded areas contain electrical information for International models only

Standard Watt				High Watt				Both Models	
Model	Volts (single phase)	Watt	Amps	Model	Volts (single phase)	Watt	Amps	Width x Depth x Height	Ship Weight ↕
GR2AL-60	120	1350	11.3	GR2AHL-60	120	1700	14.2	63.5" x 11.91" x 3.5" (1613 x 303 x 89 mm)	83 lbs. (38 kg.)
	120/208		7.5		9.2				
	120/240		6.9		8.3				
	220-230 (CE)*	1300-1421	5.9-6.2		1650-1803	7.5-7.8			
	230-240 (CE)*	1240-1350	5.4-5.6		1561-1700	6.8-7.1			
GR2AL-66	120	1460	12.2	GR2AHL-66▼	120	1860	15.5	69.5" x 11.91" x 3.5" (1765 x 303 x 89 mm)	93 lbs. (42 kg.)
	120/208		8.1		10.0				
	120/240		7.3		9.0				
	220-230 (CE)*	1410-1541	6.4-6.7		1810-1978	8.2-8.6			
	230-240 (CE)*	1340-1460	5.8-6.1		1708-1860	7.4-7.8			
GR2AL-72	120	1635	13.6	GR2AHL-72▼	120	2085	17.4	75.5" x 11.91" x 3.5" (1918 x 303 x 89 mm)	101 lbs. (46 kg.)
	120/208		9.1		11.3				
	120/240		8.3		10.2				
	220-230 (CE)*	1575-1722	7.2-7.5		2025-2213	9.2-9.6			
	230-240 (CE)*	1500-1635	6.5-6.8		1915-2085	8.3-8.7			
GR2AL-84▲	120	1920	16.0	GR2AHL-84▲	120	2320	19.3	87.5" x 11.91" x 3.5" (2223 x 303 x 89 mm)	123 lbs. (56 kg.)
	120/208		10.7		13.4				
	120/240		9.8		12.0				
	220-230 (CE)*	1850-2022	8.4-8.8		2400-2623	8.2-8.6			
	230-240 (CE)*	1763-1920	7.7-8.0		2268-2470	9.9-10.3			

↕ Shipping weight includes packaging, and does not include RMB, must order an RMB.

▲ 120 volt models require additional switches and tandem (end-to-end) elements.

▼ 120 volt models with infinite controls require additional switch(es) and tandem (end-to-end) elements.

NOTE: Units rated for 120/208 or 120/240 volt are manufactured with a 120 volt circuit for the incandescent lights and a 208 or 240 volt circuit for the heating element(s).

SWITCH LOCATION

Remote only

TOGGLE SWITCH

Amps: Max. 15 amps

INFINITE SWITCH

Max. 12.2 amps

LEADS

5' (1524 mm) through 0.5" (13 mm) conduit in Stand cavity is standard

ELEMENT HEIGHT REQUIREMENTS

(Refer to the Installation section of the Manual on the Hatco website)

Standard Watt

Height: 8"-12" (203-305 mm)

Target Width: 12"-14" (305-356 mm)

High Watt

Height: 11"-14" (279-356 mm)

Target Width: 14"-16" (356-406 mm)

REMOTE CONTROL ENCLOSURES

Must order one RMB control box per Strip Heater - If RMB2 is used, multiple warmers can be controlled from one box. For more details, see "Choose Remote Box" section listed under "Resources" on the Hatco website, www.hatcocorp.com

Model	Width	Switches
RMB-3	6" (150 mm)	2 toggles
RMB-7	9.375" (239 mm)	2 toggles with pilot lights or 1 toggle, 1 infinite and pilot light
RMB2-1R	11" (279 mm)	1 toggle, 1 infinite, 1 relay, 1 indicator light
RMB2-2R	14" (356 mm)	1 toggle, 1 infinite, 2 relays, 1 indicator light

PRODUCT SPECS

Designer Infrared Designer Aluminum Foodwarmers with Lights

The Infrared Designer Aluminum Foodwarmer with Lights shall be a Glo-Ray®, manufactured by the Hatco Corporation, Milwaukee, WI 53234 U.S.A. The foodwarmer shall be a Glo-Ray model ... , rated at ... watts, ... volts, single phase and be ... inches (millimeters) in overall width. The Glo-Ray shall consist of an aluminum housing and include as standard equipment 14" (356 mm) Designer Stands. The infrared heating element shall be tubular metal sheathed. The foodwarmer shall be factory assembled ready for electrical installation.

Options shall include Designer Color Housing, Designer Color Inset Panel, Designer non-adjustable Stands in various sizes (available in Designer Colors), Overhead Mounts (available in Designer Colors), dark gray Designer corner caps, sneeze guards, no Control, no Bulbs, Extra Lamps, Extended Electrical Power Leads, and Remote Control Box.

Warranty consists of 24/7 parts and service assistance (U.S. and Canada only).

HATCO CORPORATION

(800) 558-0607 | (414) 671-6350

P.O. Box 340500 Milwaukee, WI 53234-0500 U.S.A.

www.hatcocorp.com | support@hatcocorp.com