

34E Series - Endless Design Double Duty - Deli



Model No.	Description	Length	Depth	Height	Voltage	Amps	HP/BTUs	Power Cord	Est. Ship Weight
SC-CDS34E-4-LED	Self Contained	52.5"	36.5"	53.5"	115	12.0	1/4	YES	530
SC-CDS34E-6-LED	Self Contained	76.5"	34.5"	53.5"	115	12.0	1/3	YES	741
SC-CDS34E-8-LED	Self Contained	100.5"	34.5"	53.5"	115	16.0	1/2	YES	897
SC-CDS34E-10-LED	Self Contained	124.5"	34.5"	53.5"	115	13.8	1/2	NO	1150
SC-CDS34E-12-LED	Self Contained	148.5"	34.5"	53.5"	115	17.4	3/4	NO	1414
R-CDS34E-4-LED	Remote	52.5"	34.5"	53.5"	115	0.8	1400	NO	497
R-CDS34E-6-LED	Remote	76.5"	34.5"	53.5"	115	1.3	2100	NO	693
R-CDS34E-8-LED	Remote	100.5"	34.5"	53.5"	115	1.6	2800	NO	832
R-CDS34E-10-LED	Remote	124.5"	34.5"	53.5"	115	2.4	3500	NO	1089
R-CDS34E-12-LED	Remote	148.5"	34.5"	53.5"	115	2.4	4200	NO	1359

MODEL NUMBER PREFIX - SC = Self Contained R = Remote
 MODEL NUMBER SUFFIX - W = White B = Black S = Stainless Steel LED = LED lighting
 • Cases are designed to operate at 75 degrees Fahrenheit and 55% relative humidity
 • Cases are equipped with drains; check your local building codes for connection requirements.
 • Specification subject to change without notice
 IF COLORS ARE MIXED AN ADDITIONAL CHARGE WILL APPLY



34E Series - Endless Design Double Duty - Deli

Standard Specifications and Optional Features

CONSTRUCTION

- UL Classified to ANSI/NSF 7
- Foamed in place CFC free foam
- Thermal insulated front glass - 28" H
- Heavy gauge steel super structure
- Bottom storage
- Endless design allows for continuous line up
- Drain is included for cleaning

INTERIOR

- White, black, and stainless steel ends
- Stainless steel heavy gauge mezzanine shelf
- White aluminum floor (bottom storage area)
- Air insulated baffle (prevents moisture from dripping into display area)

EXTERIOR

- Double pane rear removable doors
- Newly designed rear compression door jamb
- Removable front grille allows for cleaning
- Removable rear grille for easy servicing
- 2 - 1/4" removeable end panels
- 1" Front bumper

FINISHES

- White, black, and stainless steel front and ends
- Stainless steel mirror trim
- Stainless steel heavy gauge top - 19 - 1/2" W
- Rear of unit is stainless steel brush finish at top
- Bottom rear is designer white or glossy black

LIGHTING

- 2 rows of lighting at top of unit

ELECTRICAL REQUIREMENTS

- 115V 4', 6', AND 8' with power cord
- Unit must be hard wired 10' and 12' ONLY
- UL/CUL listed
- 115V-12AMP general purpose receptacle (wired separately) 10' and 12' ONLY

REFRIGERATION

- Copevap system (eliminates need for condensate pan)
- R513A expansion valve system
- Gravity coil located at inside top of unit
- Self contained unit
- Automatic defrost electronically controlled (self contained units only)
- Electronically maintains constant temperatures
- Remotes available

OPTIONS

- LED lit
- LED lit shelves
- Scale stand
- Paper cutter
- Stainless steel, laminate, or paint
- Mirrored doors
- Extra stainless steel mezzanine shelf
- Drop work shelf
- 2" Front bumper
- Door lock
- Digital thermometer
- Pass thru front doors
- Sandwich racks
- Salad pan settings

Important Note:

All refrigerated cases are designed to operate in an environment of 75 degrees and 55% relative humidity. Product must be cooled before being displayed within the case.

DRAIN IS REQUIRED

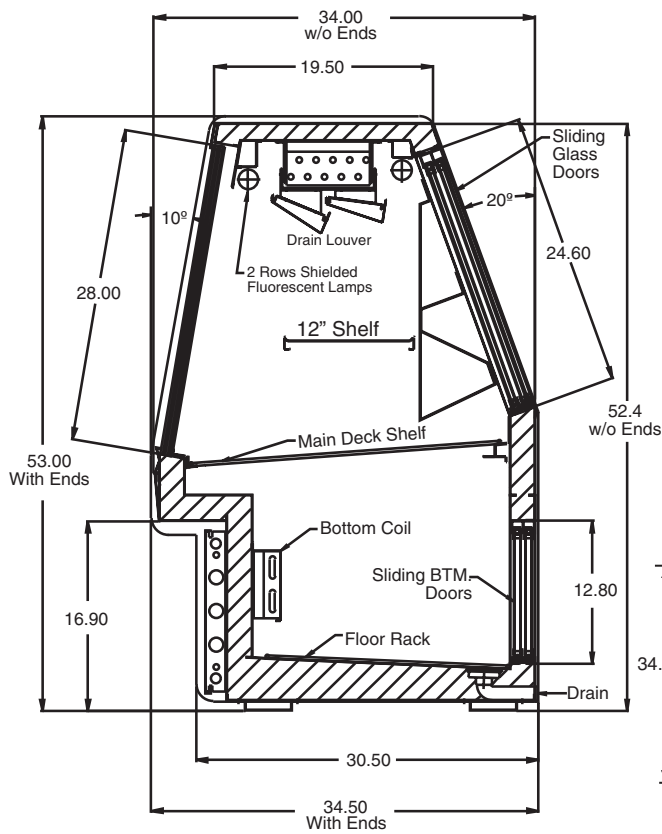
34E Series - Endless Design Double Duty - Deli

Technical Data

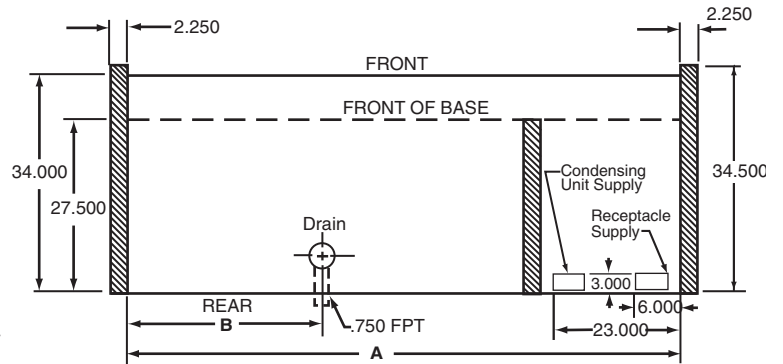
Model No.	SC R	SC-CDS34E-4-LED R-CDS34E-4-LED	SC-CDS34E-6-LED R-CDS34E-6-LED	SC-CDS34E-8-LED R-CDS34E-8-LED	SC-CDS34E-10-LED R-CDS34E-10-LED	SC-CDS34E-12-LED R-CDS34E-12-LED
Length with (2) ends		52.5"	76.5"	100.5"	124.5"	148.5"
Length without ends		48"	72"	96"	120"	144"
Height with ends		53.5"	53.5"	53.5"	53.5"	53.5"
Height without ends		53"	53"	53"	53"	53"
Depth with ends		36.5"	34.5"	34.5"	34.5"	34.5"
Depth without ends		36"	34"	34"	34"	34"
Endless design		YES	YES	YES	YES	YES
(Dimensions are +/- 1/4")						
Operating temperature		36°F to 40°F	36°F to 40°F	36°F to 40°F	36°F to 40°F	36°F to 40°F
Refrigerant (exp. valve)	SC	R513A	R513A	R513A	R513A	R513A
Refrigerant (exp. valve)	R	R407A	R407A	R407A	R407A	R407A
Compressor size HP	SC	1/4	1/3	1/2	1/2	3/4
Defrost per day (24 hours)	Air Defrost	1 per day	1 per day	1 per day	1 per day	1 per day
BTU's at +20°F Evap Temp	R	1400	2100	2800	3500	4200
Voltage	SC	115	115	115	115	115
Amperage	SC	12.0	12.0	16.0	13.8	17.4
Remote Voltage	R	115	115	115	115	115
Amperage, lights only	R	0.8	1.3	1.6	2.4	2.4
Cord and plug	SC	YES	YES	YES	NO	NO
	R	NO	NO	NO	NO	NO
Exterior color		W, B, S	W, B, S	W, B, S	W, B, S	W, B, S
Interior color		W, B, S	W, B, S	W, B, S	W, B, S	W, B, S
Inside end panels		W, B, S	W, B, S	W, B, S	W, B, S	W, B, S
Floors		W, B, S	W, B, S	W, B, S	W, B, S	W, B, S
# of top doors		2	2	4	4	4
Door size		20.8" x 23.5"	31.3" x 23.5"	20.8" x 23.5"	20.5" x 23.5"	31.3" x 23.5"
# of coils		2	2	2	2	2
Bottom storage		Yes	Yes	Yes	Yes	Yes
Front glass		28" x 46.6875"	28" x 70.6875"	28" x 94.6875"	28" x 118.6875"	28" x 142.6875"
# of main deck shelves		2	3	4	5	6
Main deck size		24" x 28.625"	24" x 28.625"	24" x 28.625"	24" x 28.625"	24" x 28.625"
Cubic capacity		30	45	60	75	90
Mezzanine - shelf		Standard	Standard	Standard	Standard	Standard
Shipping Info						
Height		58"	58"	58"	58"	58"
Depth		44"	44"	44"	44"	44"
Length		61"	87"	109"	135"	157"
Gross weight SC/R		530/497	741/693	897/832	1150/1089	1414/1359
Cubic feet		89	128	164	199	231

34E Series - Endless Design Double Duty - Deli

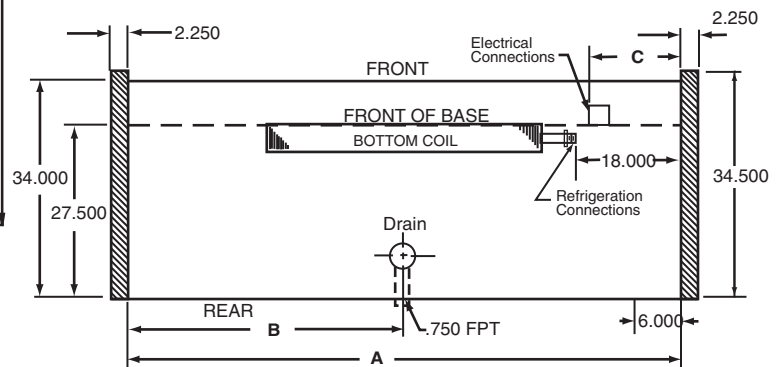
Technical Data • Side View • Plan View



Cross Section



MODEL NO.	A	B
S/C-34E-4	48"	12"
S/C-34E-6	72"	24"
S/C-34E-8	96"	36"
S/C-34E-10	120"	48"
S/C-34E-12	144"	60"



MODEL NO.	A	B	C
R-34E-4	48"	24"	4"
R-34E-6	72"	36"	4"
R-34E-8	96"	48"	52"
R-34E-10	120"	60"	52"
R-34E-12	144"	72"	76"

Plan Views