

Open Merchandisers 30E Series - 72"H - Endless Design - Dairy



Model No.	Description	Length	Depth	Height	Voltage	Amps	HP/BTUs	Power Cord	Est. Ship Weight
SC-OD30E-3-LED	Self Contained	39"	30"	72"	115	12.0	1/2	5-15P	535
SC-OD30E-4-LED	Self Contained	51"	30"	72"	115	13.7	1/2	5-20P	615
SC-OD30E-5-LED	Self Contained	63"	30"	72"	115/208-230	13.1	1	L14-20P	738
SC-OD30E-6-LED	Self Contained	75"	30"	72"	115/208-230	13.1	1	L14-20P	860
SC-OD30E-8-LED	Self Contained	99"	30"	72"	115/208-230	14.3	1	L14-20P	1085
R-OD30E-3-LED	Remote	39"	30"	72"	115	1.4	3900	NO	482
R-OD30E-4-LED	Remote	51"	30"	72"	115	2.2	5200	NO	554
R-OD30E-5-LED	Remote	63"	30"	72"	115	2.8	6500	NO	664
R-OD30E-6-LED	Remote	75"	30"	72"	115	2.8	7800	NO	774
R-OD30E-8-LED	Remote	99"	30"	72"	115	4.3	10400	NO	977
R-OD30E-10-LED	Remote	123"	31.25"	72"	115	7.0	13000	NO	1328
R-OD30E-12-LED	Remote	147"	31.25"	72"	115	8.0	15600	NO	1548

MODEL NUMBER PREFIX - SC = Self Contained R = Remote
 MODEL NUMBER SUFFIX - W = White B = Black S = Stainless Steel LED = LED lighting
 • Cases are designed to operate at 75 degrees Fahrenheit and 55% relative humidity
 • Cases are equipped with drains; check your local building codes for connection requirements.
 • Specification subject to change without notice
 IF COLORS ARE MIXED AN ADDITIONAL CHARGE WILL APPLY



Open Merchandisers 30E Series – 72"H – Endless Design - Dairy Standard Specifications and Optional Features

CONSTRUCTION

- UL Classified to ANSI/NSF 7
- Foamed in place CFC free foam
- Heavy gauge steel super structure
- Multi deck
- Endless design allows for continuous line up

INTERIOR

- White, black, or stainless steel end panels
- Removable white, black, or stainless steel floor pans
- White, black, or stainless steel perforated rear wall (for even air distribution)
- Full length lighting at top of unit
- 3 levels of lit shelving with product stop
- 4 levels of product display
- Stylish tag molding on each shelf

EXTERIOR

- White, black, or stainless steel ends and front
- White, black, or stainless steel color band
- Removeable front grill allows for cleaning and servicing
- 1" bumper
- Choice of end panels

FINISHES

- White, black, or stainless steel end panels
- White, black, or stainless steel front rail
- White, black, or stainless steel front color band
- White, black, or stainless steel end trim
- Laminate, and custom paints available
- Coated galvanized rear

LIGHTING

- LED lighting
- 1 row at inside top of unit
- 3 rows of lighted shelving

ELECTRICAL REQUIREMENTS

- Unit comes with cord and plug
- UL/CUL listed
- See Tech page for details on voltage

REFRIGERATION

- Self Contained - R513A expansion valve system
- Remote - R407A expansion valve system
- Low velocity fans located below deck area (to insure even flow of air)
- Electronic Control System with automatic air defrost to Maintain Balanced Temperatures
- New high efficiency air screen technology
- Self contained system
- Copeland hermetic unit
- Remotes available

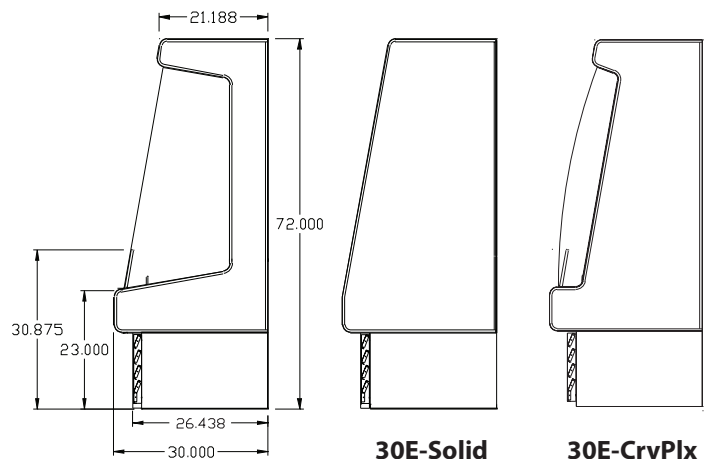
OPTIONAL FEATURES

- Night covers
- Security cover
- Peg bars
- Insulated divider for line ups
- Plexiglas divider for line ups
- Colored bumper
- Stainless steel, laminated or paint
- Product stops on shelving
- 3 Different end panel choices
- Digital thermometer

Important Note:

All refrigerated cases are designed to operate in an environment of 75 degrees and 55% relative humidity. Product must be cooled before being displayed within the case.

DRAIN IS REQUIRED



Open Merchandisers 30E Series – 72"H – Endless Design - Dairy

Technical Data

Model No.	SC R	SC-OD30E-3-LED R-OD30E-3-LED	SC-OD30E-4-LED R-OD30E-4-LED	SC-OD30E-5-LED R-OD30E-5-LED	SC-OD30E-6-LED R-OD30E-6-LED	SC-OD30E-8-LED R-OD30E-8-LED	R-OD30E-10-LED	R-OD30E-12-LED
Length with (2) ends		39"	51"	63"	75"	99"	123"	147"
Length without ends		36"	48"	60"	72"	96"	120"	144"
Height with ends		72"	72"	72"	72"	72"	72"	72"
Height without ends		71.5"	71.5"	71.5"	71.5"	71.5"	71.5"	71.5"
Depth with ends		30"	30"	30"	30"	30"	31.25"	31.25"
Depth without ends		29"	29"	29"	29"	29"	30.25"	30.25"
Endless design (Dimensions are +/- 1/4")		YES	YES	YES	YES	YES	YES	YES
Operating temperature		36°F to 40°F	36°F to 40°F	36°F to 40°F	36°F to 40°F	36°F to 40°F	36°F to 40°F	36°F to 40°F
Refrigerant (expansion valve)	SC	R513A/	R513A	R513A	R513A	R513A		
Refrigerant (expansion valve)	R	R407A	R407A	407A	R407A	R407A	R407A	R407A
Compressor size HP	SC	1/2	1/2	1	1	1	N/A	N/A
Defrost per day (24 hrs)	Air Defrost	6 per day	6 per day	6 per day	6 per day	6 per day	6 per day	6 per day
BTU's at +20°F Evap. Temp.	R	3900	5200	6500	7800	10400	13000	15600
Voltage	SC	115	115	115/208-230	115/208-230	115/208-230	N/A	N/A
Amperage	SC	12	13.7	13.1	13.1	14.3	N/A	N/A
Remote Voltage	R	115	115	115	115	115	115	115
Amperage, lights only	R	1.4	2.2	2.8	2.8	4.3	7.0	8.0
Cord and plug	SC	5-15P	5-20P	L14-20P	L14-20P	L14-20P	N/A	N/A
	R	NO	NO	NO	NO	NO	NO	NO
Exterior color		W,B,S	W,B,S	W,B,S	W,B,S	W,B,S	W,B,S	W,B,S
Interior color		W,B,S	W,B,S	W,B,S	W,B,S	W,B,S	W,B,S	W,B,S
# of shelves		3	3	3	6	6	9	12
Shelf size depth		(1) 12" (2) 14"	(1) 12" (2) 14"	(1) 12" (2) 14"	(1) 12" (2) 14"	(1) 12" (2) 14"	(1) 12" (2) 14"	(1) 12" (2) 14"
Shipping Info								
Height		76"	76"	76"	76"	76"	76"	76"
Depth		44"	44"	44"	44"	44"	44"	44"
Length		49"	61"	73"	87"	109"	133"	157"
Gross weight SC/R		535/482	615/554	738/664	860/774	1085/977	Remote 1328	Remote 1548
Cubic feet		95	118	141	168	210	257	303

(ALL WHITE OR ALL BLACK, NO EXTRA CHARGE—IF COLORS ARE MIXED AN ADDITIONAL CHARGE WILL APPLY)

Prefix

SC = Self Contained
R = Remote

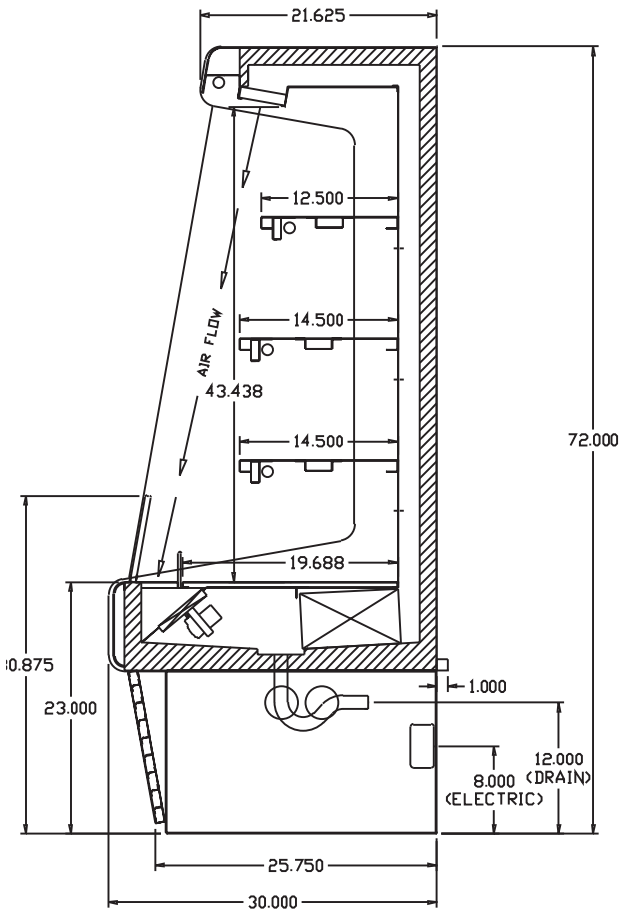
Suffix

B = Black
W = White
S = Stainless Steel
LED = LED lighting

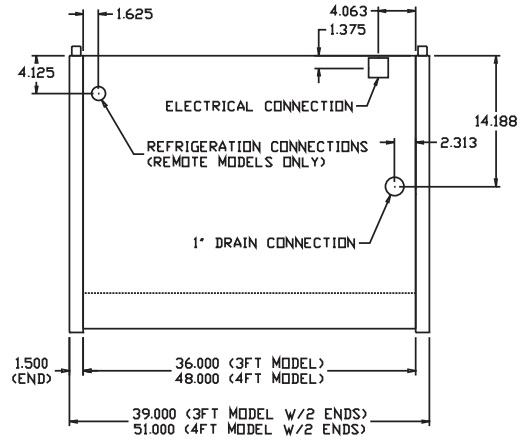
- Cases are designed to operate at 75 degrees Fahrenheit and 55% relative humidity
- Cases are equipped with drains; check your local building codes for connection requirements.
- Specification subject to change without notice

Open Merchandisers 30E Series – 72"H – Endless Design - Dairy

Technical Data • Cross Section • Plan View



Cross Section



Plan Views

