

Project \_\_\_\_\_  
 Item \_\_\_\_\_  
 Quantity \_\_\_\_\_  
 CSI Section 11400  
 Approved \_\_\_\_\_  
 Date \_\_\_\_\_

# RFF-0620 Flake Ice Machine

RFF-0620 Flake Ice Machine

## Models

- RFF0620A-161     RFF0620W-161



Model RFF-0620A  
 Flake Ice Machine  
 on D-420 Bin

## Standard Features

- Up to 740 lbs. (345 kgs) daily flake ice production.
- High load maintenance free bearing for enhanced reliability
- Service updates facilitate installation and make cleaning easier.
- Flake ice is perfect for food display, salad bars, and cold therapy/healthcare
- Ice forms around object without bruising and holds objects in place without tipping/spilling.
- Heavy duty stainless steel cabinet resists corrosion.



## Specifications

### BTU per hour:

Air: 5,200 (average)  
 Water: 2,250 (average)

### Compressor:

Nominal rating: 1 HP  
 Refrigerant: R-404A

### Operating Limits:

- Ambient Temperature Range: 50°-110°F (10°-43°C)
- Water Temperature Range 37°-90°F (3°-32°C)
- Water Pressure Ice Maker Water In  
 Min. 14 psi (96.5 kPa)  
 Max. 80 psi (551.6 kPa)
- Condenser Inlet Water In: (water-cooled only)  
 Min. 20 psi (137.9 kPa)  
 Max. 150 psi (1034.2 kPa)  
 Water Condenser not for sea water applications.

## Ice Machine Electric

115/60/1 standard.  
 (230/50/1 also available.)

### Minimum circuit ampacity:

16.3 amps (115V air)  
 15.4 amps (115V water)

### Maximum fuse size:

25 amps (115V)  
 HACR-type circuit breakers can be used in place of fuses.

## Ice Shape

Flake ice is small hard bits of ice ideally suited for presentation applications.



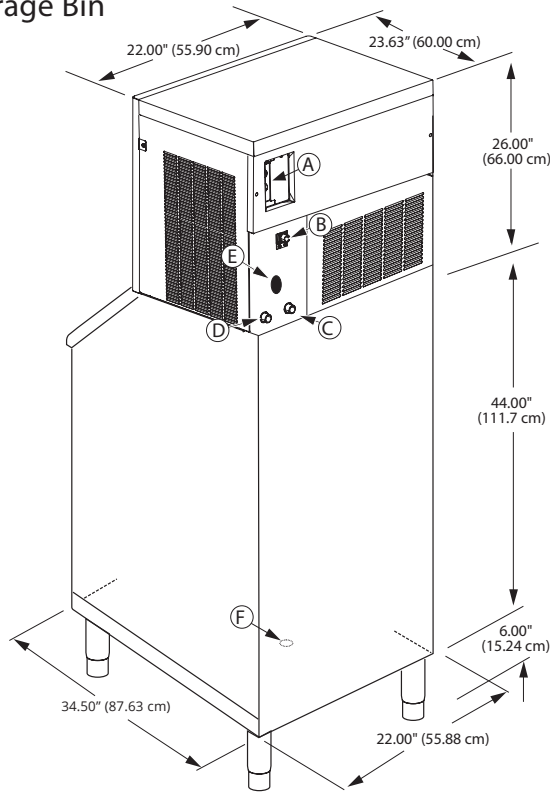
Ice shown actual size





RFF-0620 Flake Ice Machine

**RFF-0620 on D-420 Storage Bin**



**Installation Note -**

Minimum installation clearance:  
Top/sides: 8" (20.32 cm),  
Back: 5" (12.70 cm).

- (A) Electrical Entrance (2) Options
- (B) 3/8" F.P.T. Condenser Inlet (water-cooled only)
- (C) 1/2" M.P.T. Condenser Drain (water-cooled only)
- (D) 1/2" M.P.T. Ice Making Water Drain
- (E) 3/8" F.P.T. Ice Making Water Inlet
- (F) 3/4" Bin Drain

**Space-Saving Designs**



**RFF-0620 on D-420**

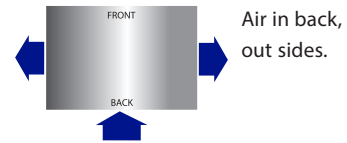
Height	76.00" 193.00 cm
Width	22.00" 55.90 cm
Depth	34.50" 87.63 cm
Bin Storage	310 lbs. 140.7 kgs

Height includes adjustable bin legs  
6.00" to 7.00", (15.24 to 17.78 cm)  
set at 6.00" (15.24 cm).

**Accessories**

K-00472 30" B Style Bin Adapter

**Air Flow Overhead View**



Model	Ice Shape	Ice Production 24 Hours Based on Air/Water Temp				Power kWh/100 lbs @ 90°Air/70°F Water	Potable Water Usage (100 lbs./ 45.4 kgs of Ice)	Condenser Water at 90/70°F 32° Air/21° C Water
		70° Air/50°F Water 21° Air/10° C Water	90° Air/70°F Water 32° Air/21° C Water					
RFF0620A-161	Flake	730 lbs.	331 kgs	506 lbs.	230 kgs	5.19	12 gal./45.4 L	N/A
RFF0620W-161	Flake	740 lbs.	335 kgs	597 lbs.	270 kgs	3.75	12 gal./45.4 L	106 gal./401 L

Welbilt reserves the right to make changes to the design or specifications without prior notice.