

iT1900 Ice Cube Machine

Models

- IRT1900A IDT-1900A IYT1900A IDT1900W
- IYT1900W IRT1900N IDT1900N IYT1900N



Indigo NXT Series iT1900 Ice Machine on D970 Bin

Designed for operators who know that ice is critical to their business, the Indigo NXT Series ice machine's preventative diagnostics continually monitor itself for reliable ice production. Improvements in cleanability and programmability make your ice machine easy to own and less expensive to operate.

- **New levels of Performance** – Showcasing an average of 14% lower energy consumption, 10% reduction in potable water usage and a 23% reduction in condenser water usage. This translates into lower cost of ownership over the life of your machine.
- **easyTouch® Display** - New icon based touch screen takes the guess work out of owning and operating an ice machine.
- **Programmable Ice Production** – Now its super easy to program your ice machine to be off at certain times of the day to save money with fluctuating electrical rates. Also programmable by daily ice production volume.
- **Easy to Clean Foodzone** – Easy Access front door panel. Removable water-trough, distribution tube, curtain, and sensing probes for fast and efficient cleaning. Select components made with AlphaSan® antimicrobial.
- **Intelligent Diagnostics** – Provides 24 hour preventative maintenance and diagnostic feedback for trouble free operation.
- **Acoustical Ice Sensing Probe** – Unique patented technology allows for reliable operation in challenging water conditions and environments
- **DuraTech® Exterior** – Provides superior corrosion resistant above stainless steel. Innovative clear-coat resists fingerprints and dirt making it easier to keep clean.
- Available **LuminIce® II Growth Inhibitor** – Controls the growth of bacteria and yeast within the Food zone keeping the machine cleaner longer. A new indicator in the display keeps you abreast of the operational status.

Ice Machine Electric

208-230/60/1 standard

Minimum circuit ampacity:

Air-cooled:	20.1 1ph	14.4 3ph
Water-cooled:	18.8 1ph	13.0 3ph
Remote-cooled:	19.3 1ph	13.1 3ph

Maximum fuse size:

Air-cooled:	30 1ph	20 3ph
Water-cooled:	30 1ph	20 3ph
Remote-cooled:	30 1ph	20 3ph



Specifications

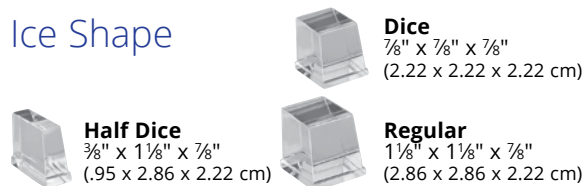
Operating Limits:

BTU Per Hour:
26,100 (average),
and 30,500 (peak)

Refrigerant:
R-410 CFC-free

- Ambient Temperature Range:
40° to 110°F (4.4° to 43.3° C)
- Water Temperature Range:
40° to 90°F (4.4° to 32.2° C)
- Water Pressure Ice Maker
Water In:
Min. 20 psi (137.9 kPa)
Max. 80 psi (551.1 kPa)

Ice Shape

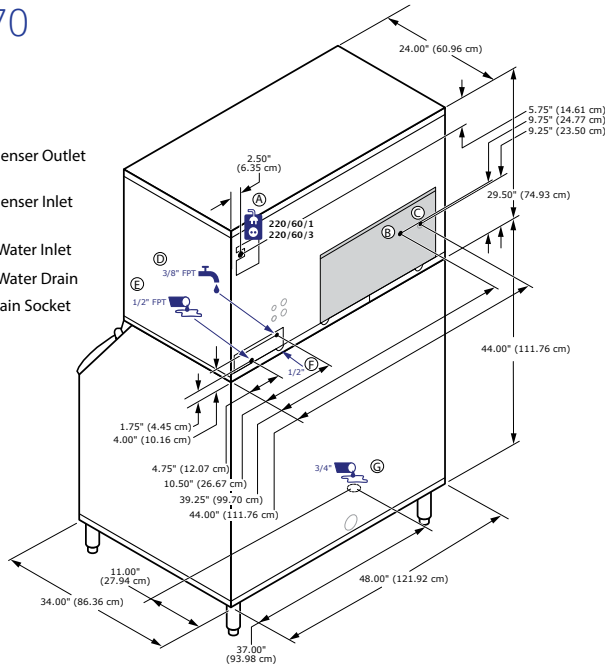


COMPANY WITH
QUALITY SYSTEM



iT1900 on D970 Storage Bin

- Ⓐ Electrical Entrance (2) Options
- Ⓑ 1/2" (1.27 cm) F.P.T. Water Condenser Outlet (water-cooled units)
- Ⓒ 3/8" (0.95 cm) F.P.T. Water Condenser Inlet (water-cooled units)
- Ⓓ 3/8" (0.95 cm) F.P.T. Ice Making Water Inlet
- Ⓔ 1/2" (1.27 cm) F.P.T. Ice Making Water Drain
- Ⓕ 1/2" (1.27 cm) Auxillary Base Drain Socket
- Ⓖ 3/4" (1.91 cm) Bin Drain



Installation Note

Air Cooled clearance:

- Top: 12" (30.5 cm)
- Sides: 8" (20.3 cm)
- Back: 5" (12.5 cm)

Water Cooled clearance:

- Top/Sides: 8" (20.3 cm)
- Back: 5" (12.7 cm)

Space-Saving Design



	iT1900 D970
Height	79.50" / 201.90 cm
Width	48.00" / 121.92 cm
Depth	34.00" / 86.30 cm
Bin Storage	710lbs / 322.2 kgs

Height includes adjustable bin legs 6.00" to 8.00", (15.24 to 20.32 cm) set at 6.00" (15.24 cm).

Specifications

	Model	Ice Shape	Ice Production 24 Hours		Power Usage kWh/100 lbs. @90°Air/70°F	Potable Water Usage/100 lbs. 45.4 kgs. of Ice
			70°Air/ 50°F Water	90°Air/ 70°F Water		
AIR-COOLED	IRT1900A	regular	1,895 lbs.	1,407 lbs.	4.65	20 Gal.
			860 kgs	638 kgs		75.7 L
	IDT1900A	dice	1,965 lbs.	1,470 lbs.	4.62	20 Gal.
WATER-COOLED	IYT1900A	half-dice	891 kgs	667 kgs	4.60	75.7 L
			1,965 lbs.	1,535 lbs.		20 Gal.
	IDT1900W	dice	1,900 lbs.	1,666 lbs.	3.51	20 Gal.
REMOTE-COOLED	IYT1900W	half-dice	862 kgs	755 kgs	3.44	75.7 L
			1,960 lbs.	1,758 lbs.		20 Gal.
	IRT1900N	regular	1,780 lbs.	1,545 lbs.	4.26	20 Gal.
REMOTE-COOLED	IDT1900N	dice	807 kgs	701 kgs	4.02 ★	75.7 L
			1,915 lbs.	1,643 lbs.		20 Gal.
	IYT1900N	half-dice	2,020 lbs.	1,744 lbs.	4.00 ★	20 Gal.
			916 kgs.	791 kgs		75.7 L

* Water-cooled Condenser Water Usage / 100 lbs. /45.4 kgs. Of Ice: 145 gal./ 549 L.
 * Water-cooled models are excluded from ENERGY STAR qualification.

Order separately: Ice storage bin for all units, line-set and remote condenser unit JCT1500 for remote cooled units.

Accessories

LuminIce[®] II Growth Inhibitor
 reduces yeast and bacteria growth for a cleaner ice machine.



External Scoop holder
 Protect the ice scoop with the NSF approved versatile scoop holder.



Arctic Pure[®] Water Filters
 Reduces sediment and chlorine odors for better tasting ice.



iAUCS[®]
 schedules and performs routine ice machine cleaning automatically.

