

## Template Assisted Crystallization | TAC

---



Lime scale is one of the most significant maintenance problems for foodservice, residential, and commercial markets. For years, water softeners have been virtually the only means for treating hard water, but a more effective method is available—Template-Assisted Crystallization (TAC) technology.

The TAC systems use a unique technology to convert hard, dissolved minerals behind into harmless, inactive microscopic crystals. These crystals are relatively insoluble, effectively isolated from the water chemistry and anything that the water contacts.

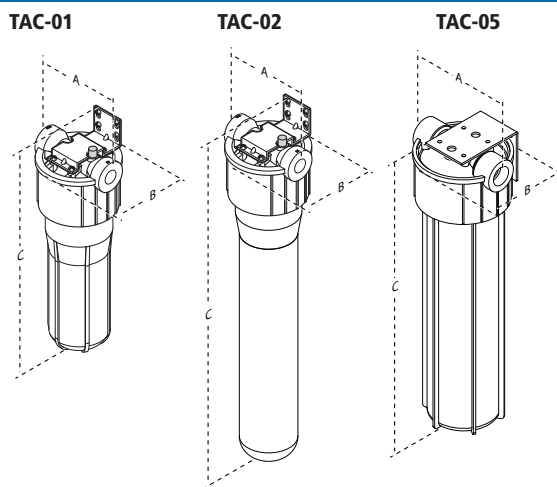
Tested by an independent laboratory against the international protocol for scale prevention—TAC achieved a 99.6% effective rating, which is higher than any other water softener alternative.

### FEATURES

- Scale-reducing technology assures reduced service on equipment by decreasing lime scale.
- Maintains good water minerals that provide benefits to customers' health while also creating high-quality drinks.
- No chemicals added to ingredient water to assure no off tastes in drinks.
- No cleaning needed assures no water waste.
- Extremely efficient—5 second contact time regardless of hardness level.
- Long-lasting media.
- No salt or other regenerates required.
- No control valve or electricity required.

# Template Assisted Crystallization | TAC

## Dimensions



Model & Mfg. No.	Width (A)	Depth (B)	Height (C)	Operating Weight
TAC-01 9700903	5 1/2" (14 cm)	6 1/2" (17 cm)	15 1/2" (39 cm)	10 lbs. (4.5 kg)
TAC-02 9700906	5 1/2" (14 cm)	6 1/2" (17 cm)	26" (66 cm)	20 lbs. (9 kg)
TAC-05* 9700905	7 1/2" (19 cm)	9" (23 cm)	22" (56 cm)	20 lbs. (9 kg)

\*Height dimension with mounting bracket facing down.

## Shipping Dimensions

Model & Mfg. No.	Length	Width	Height	Weight
TAC-01 9700903	17" (43 cm)	12" (30 cm)	18" (46 cm)	8 lbs. (3.6 kg)
TAC-02 9700906	27" (69 cm)	19" (48 cm)	17" (43 cm)	12 lbs. (5.4 kg)
TAC-05 9700905	27" (69 cm)	19" (48 cm)	17" (43 cm)	12 lbs. (5.4 kg)

## Applications

### Foodservice & Institutional

- Coffee and Tea Brewers
- Steamers

### Residential

- Laundry
- Water Heater
- Bath and Shower

### General Commercial/Industrial

- Hotels, Hospitals, Apartments, Car Washes, Restaurants, etc.
- RO Pretreatment
- Humidifiers, Evaporative Cooling
- Instantaneous or Tankless Water Heaters

Note: Flow-to-drain, blow-down valve, or self-cleaning procedure recommended for any equipment using hot water that follows a TAC system.

## Capacities

Model & Mfg. No.	Maximum Flow Rate
TAC-01 9700903	1 gallon per minute (3.8 liters per minute)
TAC-02 9700906	2 gallons per minute (7.6 liters per minute)
TAC-05 9700905	5 gallons per minute (18.9 liters per minute)

## Water Chemistry Specifications

pH	6.5 to 8.5
Max. Hardness	75 grains (1300 ppm CaCO <sub>3</sub> )
Temperature	41°F to 100°F (5°C to 38°C)
Chlorine	< 3 ppm
Iron	0.3 mg/l
Manganese	0.05 mg/l
Copper	1.3 mg/l
Oil & H <sub>2</sub> S	Remove prior to TAC

P/N 1020327 Rev. G 04/16

### U.S. Headquarters

Carol Stream, Illinois  
Phone: (630) 784-1000  
Toll Free: (800) 253-2991  
Fax: (630) 784-1650

### China Facility

Suzhou, China  
Phone: 86-512-6841-3637  
Toll Free: 86-512-6841-3907  
Fax: 400-0-7878-22