



Undercounter/Worktop Refrigerators and Freezers

- All units come standard with heavy-duty worktop surface.
- Standard top panel is removable for use in lower height applications (reduces total height by 1.5").
- Exterior cabinet construction consists of full stainless steel front and sides.
- One/two adjustable, heavy-duty epoxy coated wire shelves.
- Interior cabinet is bright white ABS liner with full stainless steel floor white coved corners.
- Condensate heating element built into condensate pan for efficient evaporation of excess water.
- Electronic thermostat with external digital LED display for accurate control and easy reading
- Easy to mount casters (two lockable) are standard with all units.
- Self-closing doors that remain open at 90 degrees.
- Solid door construction with foamed-in-place recessed handle.
- Magnetic door gaskets are removable and replaceable without tools.
- Larger fan motors and blades for more efficient air flow ensuring faster recovery times.
- Self-contained capillary tube system using environmentally friendly CFC free refrigerant (R290).
- Tested to NSF Standard 7 requirements for open food storage.
- Full two year parts and labor warranty and a five year compressor warranty.



**AUC27R
AUC27F**



**AUC48R
AUC48F**



**Approved models:
AUC27R
AUC48R**

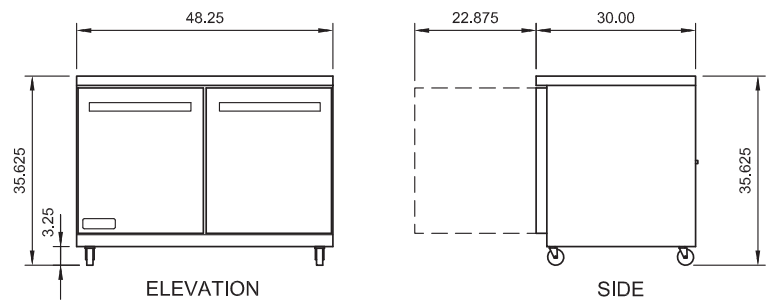
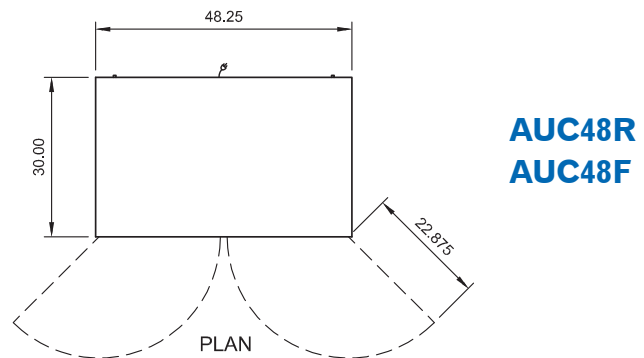
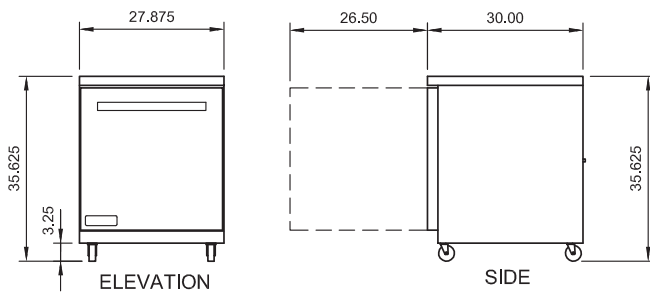
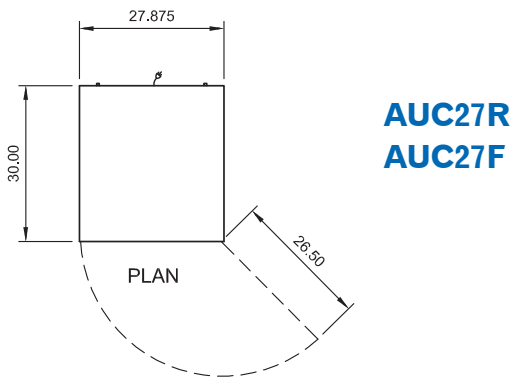
Model Number	External Dimensions			Doors	Shelves	Cubic Feet	Temperature Range	Cord Length	HP	Amps	NEMA Plug	Crated Weight (lbs.)
	Width	Depth	Height									
AUC27R	27.875"	30.0"	35.625"	1	1	6.5	33°F to 41°F	8'	3/8	5	5-15P	185
AUC27F	27.875"	30.0"	35.625"	1	1	6.5	-11°F to -1°F	8'	1/2	7	5-15P	190
Height with worktop panel removed = 34.125"												
AUC48R	48.25"	30.0"	35.625"	2	2	12	33°F to 41°F	8'	3/8	5	5-15P	265
AUC48F	48.25"	30.0"	35.625"	2	2	12	-11°F to -1°F	8'	5/8	9	5-15P	285
Height with worktop panel removed = 34.125"												

PHONE 952-941-2270
FAX 952-941-3066
WEB www.arcticairco.com



DIMENSIONAL DRAWINGS

Specifications subject to change without notice.



ARCTIC AIR® — A Division of Broich Enterprises, Inc. — An American Company since 1995

