

PUMPS: SOLUTION™, PLASTIC FOOD CONTAINER PUMP, #10 CAN

Model SS1

WHAT DO YOU DISPENSE?

- ◊ **THIN** • fountain syrups • liqueur • hot or soy sauce
- **THICK** • ketchup • mustard • mayo • bbq sauce
- **PARTICULATES** • tartar sauce • Thousand Island



SS1 67100

BID DESCRIPTION

Constructed of stainless steel with a brushed (#4) finish. The single stand holds a #10 can, Stainless Steel Jar (94009) or 1 gallon (3.8 L) jar. Includes a PSSS-F (83410) Polycarbonate pump.

The Server Solution™ pump dispenses a wide range of products from syrups to relish simply by changing the discharge fitting. Pump parts are dishwasher safe and replaceable. Maximum stroke yields 1 ounce (30 mL) with gauging collars supplied to reduce yield in ¼ ounce (7 mL) increments.

STANDARD FEATURES

- Durable Polycarbonate pump dispenses a wide range of products from syrups to some relishes
- Pump is dishwasher safe for easy clean up
- Maximum stroke yields 1 oz (30 mL)
- Easy-to-adjust portion control in ¼ oz (7 mL) increments

ACCESSORY ITEMS

- Stainless Steel Jar 94009
- Storage Lid for Stainless Steel Jar 94008



2 YEAR
WARRANTY

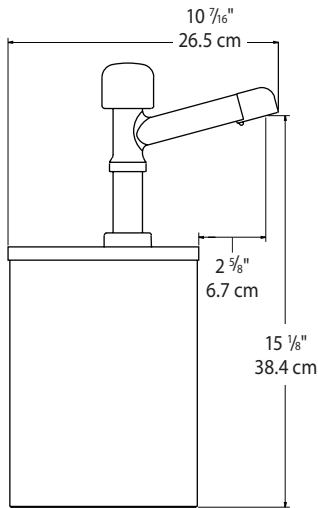
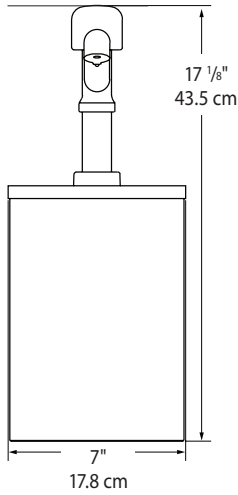
TWO YEAR WARRANTY

Server Products equipment is backed by a two-year limited warranty against defects in materials and workmanship. For a copy of our complete warranty statement, please refer to server-products.com.

PUMPS: SOLUTION™, PLASTIC FOOD CONTAINER PUMP, #10 CAN

Model SS1

**SINGLE STAND ASSEMBLY
SS1 67100**



SPECIFICATIONS

Construction	Stainless steel base with a brushed (#4) finish. Includes a PSSS-F Polycarbonate pump.		
Capacity	The base holds a #10 can, stainless steel jar (94009) or 1 gallon (3.8 L) jar.		
Dimensions	<u>Height</u>	<u>Width</u>	<u>Depth</u>
	17 1/8" 43.5 cm	7" 17.8 cm	10 7/16" 26.5 cm
Weight	7 lb (3.2 kg)		

FOB RICHFIELD, WISCONSIN 53076

CAD LIBRARY

Individual CAD images can be downloaded free of charge from our website. Our complete collection of CAD files, along with more than 100 other manufacturers, can be purchased through Kochman Consultants, Ltd. at kclcad.com.