

SMALL BATCHES. BIG IMPRESSIONS.

SMALL CAPACITY WARMER

Simplify specialty dipping
– melt small batches of
chocolates and candies

Lift-off lid doesn't
get in the way
while dipping



Accurate, adjustable
thermostat prevents
scorching and burning



SMALL FOOD WARMER Model FS-2

Food Applications

- Melt small batches of chocolates and candies for dipping treats
- Warm fresh sauces and dips for sides or starters

Fast Facts

Heat and hold small amounts of specialty dips and sauces in this 1½ qt warmer. The water-bath prevents hot spots for even heating, and the water fill line eliminates overflow accidents.

Set and forget – place pre-made dips or sauces in the NSF listed rethermalizer and let them heat up while you prep other foods.

Includes removable 1 ½ qt stainless steel bowl (82707) a 1 oz ladle and lift-off lid.



1.800.558.8722
Server-Products.com

BEAUTIFUL, DIPPED DESSERTS MADE SIMPLE.

SMALL CAPACITY WARMER

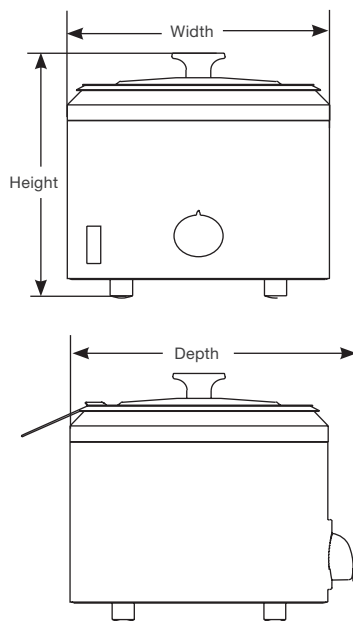
Model FS-2

Specifier Statement

Server Products Model FS-2 Small Capacity Warmer is constructed of stainless steel and comes complete with a 1 1/2 qt (1.4 L) stainless steel bowl, 1 oz (30 mL) ladle and lift-off lid. The adjustable thermostat controls a 250 watt heating element. Temperature settings are marked on the knob – ranges 75°F to 210°F – and power is controlled by an ON/OFF rocker switch. NSF listed. C-UL-US listed. Two-year warranty. Ships FOB Richfield, WI 53076.

Product Code

Small Capacity Warmer FS-2 82700



Specifications

Part Number	Capacity	Dimensions (height x width x depth)	Weight	Electrical
82700	1 1/2 qt 1.4 L	8 1/8" x 7 3/8" x 8 1/8" 20.6 x 18.7 x 20.6 cm	6 lb 2.7 kg	120V 250W 2.1A

Plug is NEMA 5-15P with 72" (183 cm) cord



Accessory Items

- 1 1/2 qt (1.4 L) stainless steel bowl 82707
- 1 oz (30 mL) 4" ladle 82717

Related Items

Warm three squeezable syrups or sauces with Server's Signature Touch™ warmer and decorate your dipped treats and specialty drinks, or use for plating. The squeeze bottle insert lets warm water flow freely around the bottles for even heat.

Server's Cone Dip warmer lets you warm up to three cone dip flavors, making it ideal for LTO flavors. Natural convection-style heating allows you to keep dips at the perfect temperature.



Signature Touch™
86810



Cone Dip
DI-2, 92020



Server Products, Inc. 800.558.8722 | Intl: 262.628.5600
3601 Pleasant Hill Road | Richfield WI 53076
spsales@server-products.com | server-products.com

Server Products, Inc. reserves the right to modify specifications without obligation.
Printed in USA | © Server Products, Inc 01.2019 | S 02050