



Job _____ Item No. _____

Impingement/Radiant Split-Belt Conveyor Toaster

IRCS4



IRCS4

DESCRIPTION

The IRCS4 toaster is designed for toasting a variety of bread and bakery goods, as well as having the ability to function as a broiler, cheesemelter, and booster. It uses both radiant and impingement heating providing quick and accurate results. The dual conveyor belt drive utilizes a stepper motor driven system. The speed and heating are electronically controlled and can be independently adjusted as well as programmed to the user's needs.

SPECIFICATIONS

The IRCS4 impingement/radiant split-belt conveyor toaster will be constructed in the U.S.A. with a corrosion-resistant stainless steel body. Units will be supplied with high-contrast color display, power saver mode, high limit switch, variable speed control, and independent heat control for the top, bottom, left, and right. This unit will use patent pending dual impingement and radiant heat. The toaster will be capable of toasting up to 16 pieces per minute. The power will be rated at 4.68 kW, available in either a 208 volt or a 240 volt version, and will be single phase. The unit will have a factory attached L6-30P plug and 6-foot cord.

WARRANTY

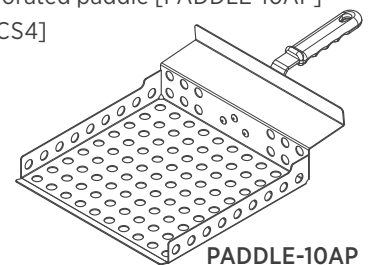
These units come with a one [1] year warranty for parts and labor.

FEATURES

- Patent pending impinged air toaster utilizes dual five [5] inch (127 mm) wide conveyor belts with independent speed and upper/lower power controls.
- High-contrast color programmable digital display for speed/heat settings, light/dark adjustment, and system diagnostics.
- There is no limit to the number of custom product settings.
- Reversible belt functionality is fully programmable.
- Belt speed and power can be synchronized with one-touch control.
- Cool-to-the-touch stainless top and side surfaces for maximum safety and durability.
- Easily accessible USB port allows for quick updates and programming.
- Includes two [2] toasting paddles that measure approximately 9.5-inch by 5-inch and easily slide into the toasting chamber to provide direct infrared heating to the product.

OPTIONS & ACCESSORIES

- Extra toaster paddles
 - 5-inch (127 mm) wide stainless steel paddle [PADDLE-5S]
 - 5-inch (127 mm) wide aluminum paddle [PADDLE-5A]
 - 10-inch (254 mm) wide aluminum paddle [PADDLE-10A]
 - 10-inch (254 mm) wide perforated paddle [PADDLE-10AP]
- 6-inch (152 mm) leg kit [LK-IRCS4]



PADDLE-10AP

CERTIFICATIONS



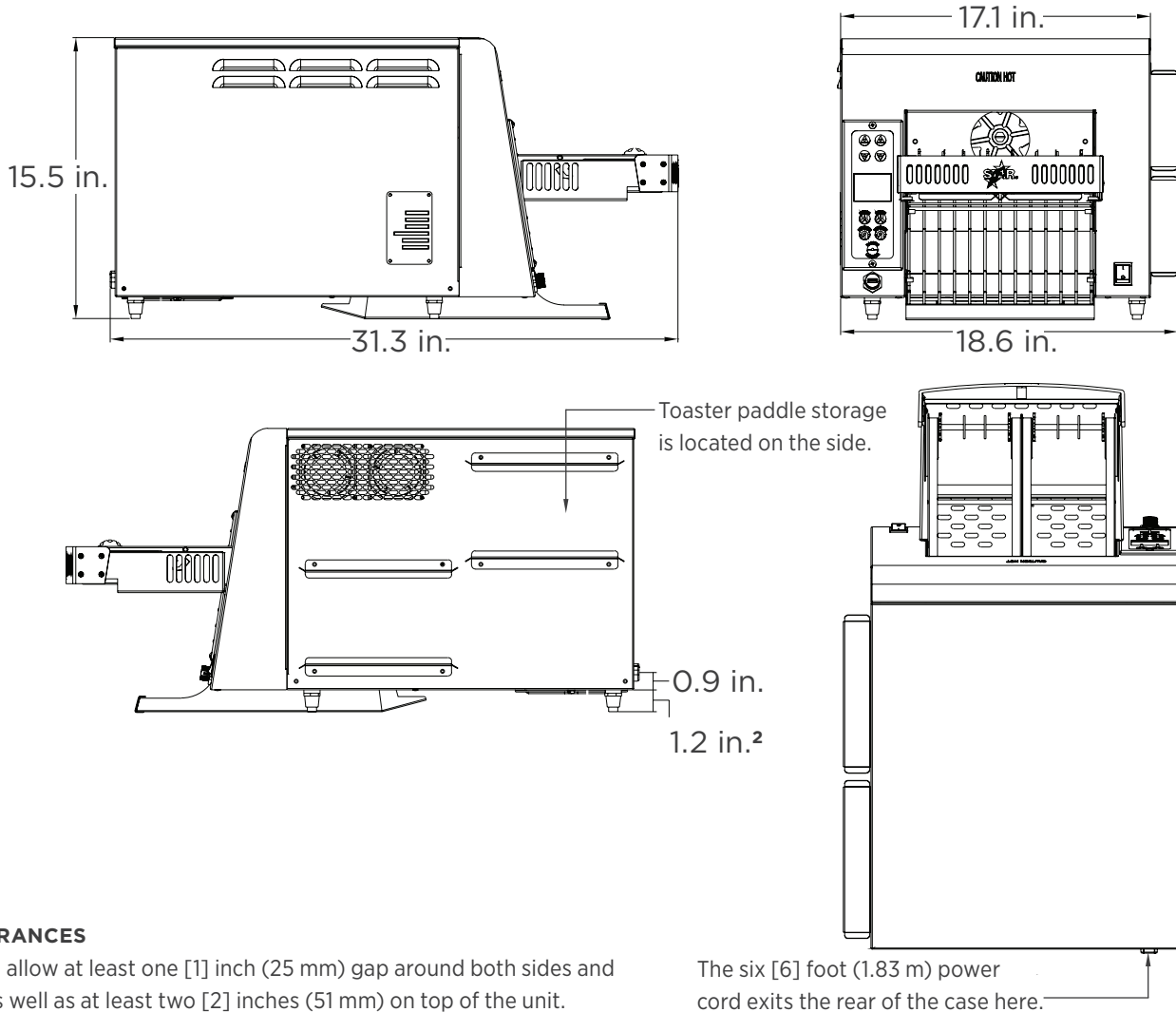
STAR MANUFACTURING INTERNATIONAL INC.
10 Sunnen Drive • Saint Louis, Missouri 63143
Telephone 800 264 7827 • Fax 314 781 5445
www.star-mfg.com

Printed in the U.S.A. • 2M-Z21115 • Rev B • 11.2016
Specifications are subject to change without notice and are not intended for installation purposes.



Impingement/Radiant Split-Belt Conveyor Toaster


IRCS4



CLEARANCES

Please allow at least one [1] inch (25 mm) gap around both sides and rear as well as at least two [2] inches (51 mm) on top of the unit.

The six [6] foot (1.83 m) power cord exits the rear of the case here.

MODEL	HEIGHT in. (mm)	WIDTH in. (mm)	DEPTH in. (mm)	VOLTS	AMPS	WATTS	NEMA PLUG	APPROX. SHIP WEIGHT	APPROX. WEIGHT INSTALLED
IRCS4 ¹	15.5 (394)	18.6 (472)	31.3 (795)	208 240	22.5 19.5	4,680	L6-30P 	95 lb. (43.1 kg)	80 lb. (36.3 kg)

¹patent pending ²adjustable up 0.5 in.

Due to periodic changes in designs, methods, procedures, policies and regulations, the specifications contained in this sheet are subject to change without notice. While Star Manufacturing exercises good faith efforts to provide information that is accurate, we are not responsible for errors or omissions in information provided or conclusions reached as a result of using the specifications. By using the information provided, the user assumes all risks in connection with such use.



STAR MANUFACTURING INTERNATIONAL INC.

10 Sunnen Drive • Saint Louis, Missouri 63143
 Telephone 800 264 7827 • Fax 314 781 5445
 www.star-mfg.com

Printed in the U.S.A. • 2M-Z21115 • Rev B • 11.2016
 Please refer to the owner's manual for information regarding installation or use.