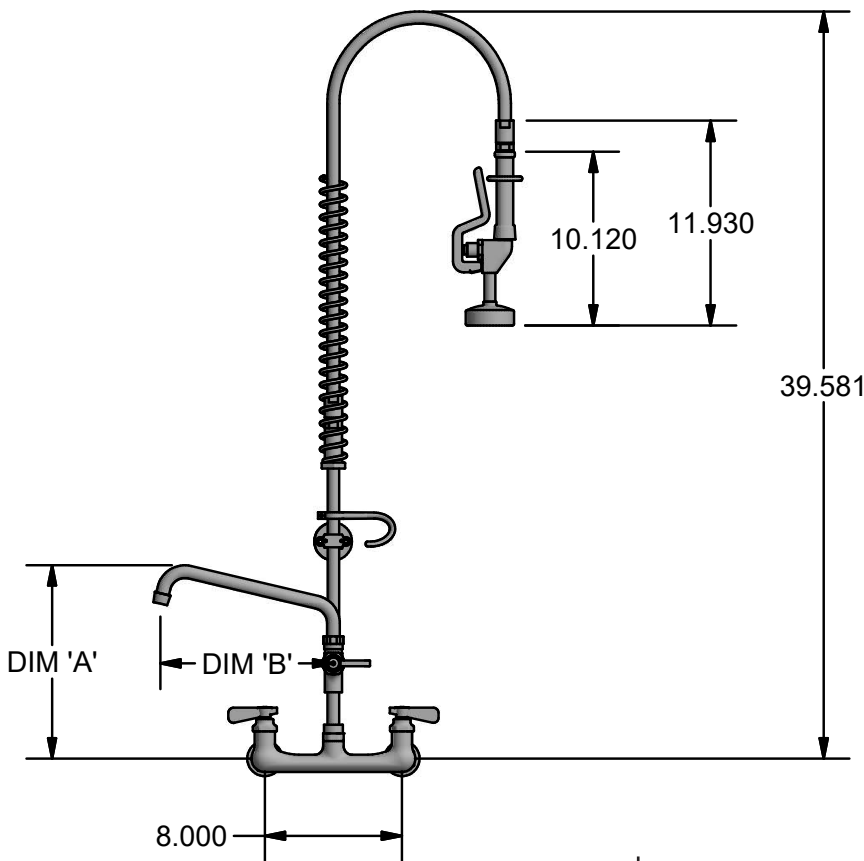
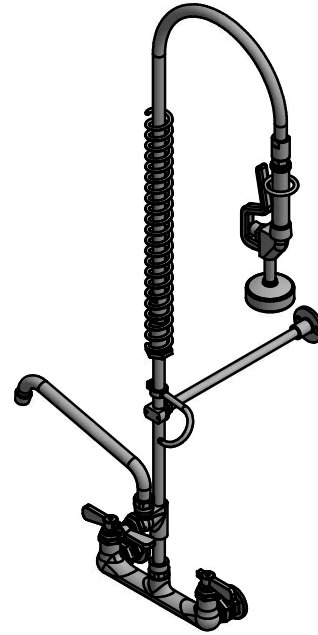




Use your smart phone to scan the above QR code to visit our website: www.bk-resources.com

8" Splash Mount Pre-Rinse

Model: BKF-SMPR-WB-AFXX-G, Lead Free



Product Detail:

Model Number	DIM. A	DIM. B
BKF-SMPR-AF8-G	10.916"	8.000"
BKF-SMPR-AF10-G	11.386"	10.000"
BKF-SMPR-AF12-G	11.856"	12.000"
BKF-SMPR-AF14-G	12.326"	14.000"

Certifications:



Product Specifications:

- Triple-Ply Hose Rated to 300 PSI
- 12" Wall Bracket
- 1/4 Turn Ceramic Cartridges
- Integral Check Valves
- Color Coded Hot & Cold Indicators
- 1/2" Female Inlets

PRODUCT SPECIFICATION SHEET

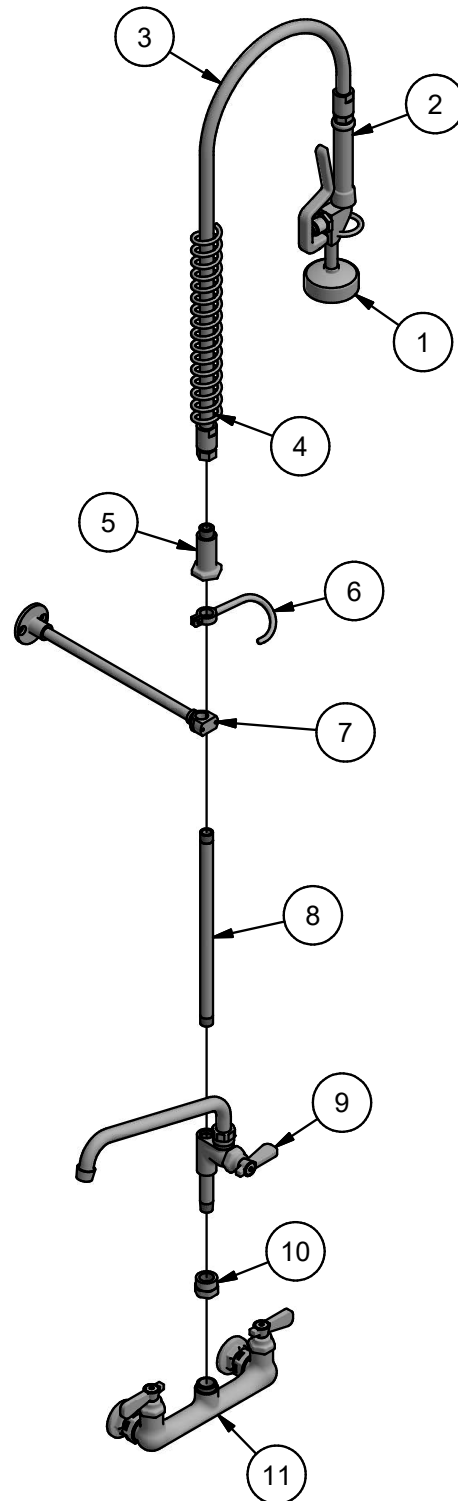
RESOURCES





8" Splash Mount Pre-Rinse

Model: BKF-SMPR-WB-AFXX-G, Lead Free



Exploded Parts Detail:

Diagram #	Quantity	Part Number	Description
1	1	BK-PRV-1-G	1.0 GPM Spray Head
2	1	BKH-HANDLE	Pre-Rinse Spray Handle
3	1	BKH-44-G	Spray Hose
4	1	BK-PR-SPRING	Hose Spring
5	1	BK-PR-SPR	Hose Retainer
6	1	BK-PR-SHR	Spray Valve Retainer
7	1	BK-PR-WB	Wall Bracket
8	1	BK-PR-18RP-G	18" Riser Pipe
9	1	BKF-AF-XX-G	Add-A-Faucet w/ Swing Spout
10	1	BK-PR-ADP	Pre-Rinse Adapter
11	1	BKF-XX-G	Faucet Body

PRODUCT SPECIFICATION SHEET

RESOURCES

