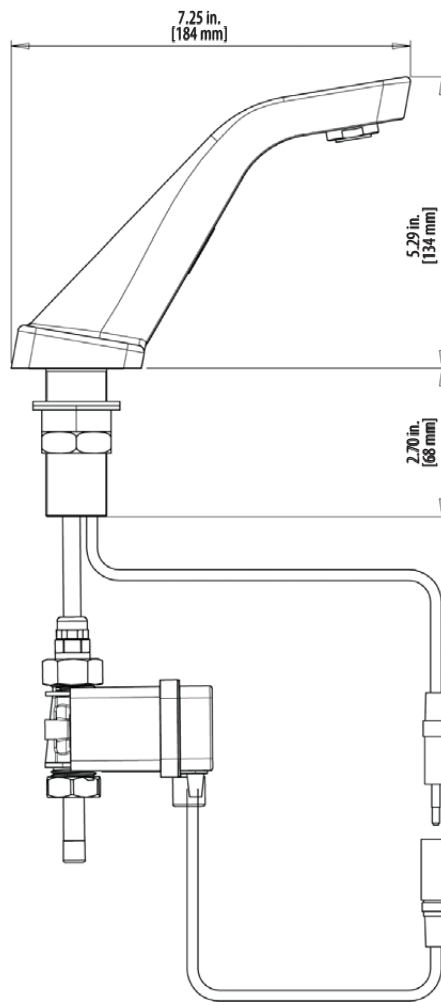
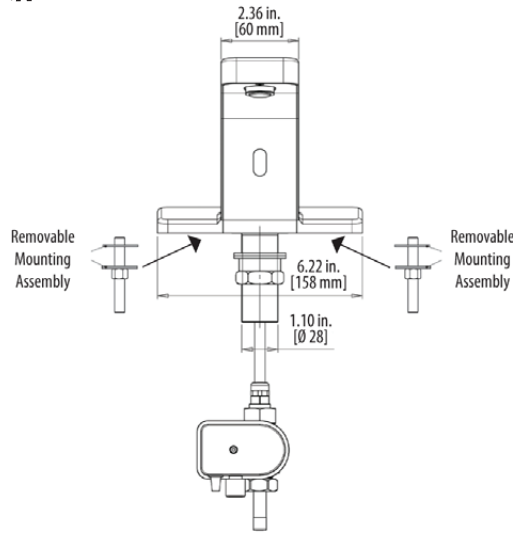




Use your smart phone to scan the above QR code to visit our website: www.bk-resources.com

Cascade Faucet

Model: BKF-CAS-G, Lead Free



Product Specifications:

- Single Hole Polished Chrome Plated Touch-Free Faucet for Cold or Premixed Water
- Lead Free Product
- Preset Sensor Range: 7 3/32" Adjustable
- Minimum Sensor Range: 3 5/32"
- Maximum Sensor Range: 11 13/16"
- 0.5 GPM (1.9 L/min) Aerator
- Dual power input box unit that allows operating the product with a 9V battery, 9V transformer or an integrated battery backup, for normal use during power supply failures, when a 9V battery is added
- Operating Pressure: 7-100 PSI
- Max Operating Temperature: 158° F
- Security Time: The Faucet will Shut Down Automatically After 90 Seconds
- Adjustable Sensor Settings by Remote Control
- Removable Mounting Assemblies; can be used for 3-hole sink, but removable if the sink only has one hole

Maintenance:

DO NOT use steel wool or cleansing agents containing alcohol, acid, abrasives or the like. Use of any prohibited cleaning or maintenance products or substances could damage surface of the faucet. For surface cleaning of faucet use ONLY soap and water, then wipe dry with clean cloth or towel. When cleaning bathroom tile, the faucets should be protected from any splattering of harsh cleansers.

Certifications:



ADA Compliant



PRODUCT SPECIFICATION SHEET

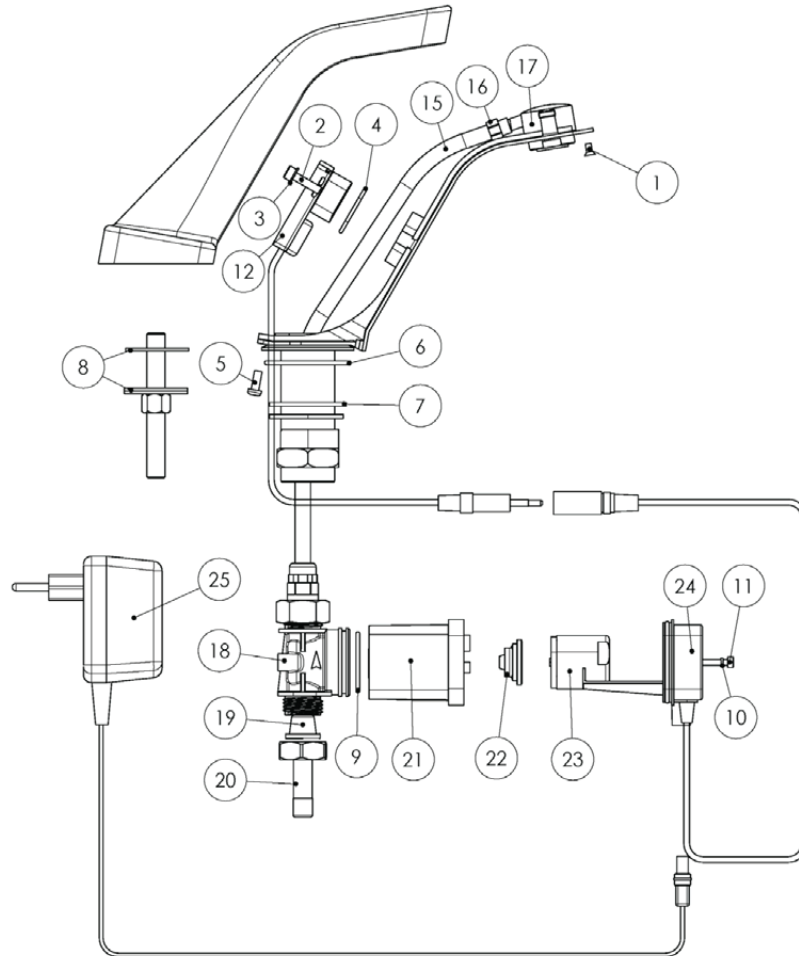
RESOURCES





Cascade Faucet

Model: BKF-CAS-G, Lead Free



Exploded Parts Detail:

Diagram #	Quantity	Part Number	Description	Diagram #	Quantity	Part Number	Description
1	1	CAS-S	Set Screw	15	1	CAS-WL	Water Line
2	1	CAS-SS	Sensor Screw	16	1	CAS-WLC	Water Line Connect
3	1	CAS-SD	Sensor Disk	17	1	CAS-AER	Aerator
4	1	CAS-SOR	Sensor O-Ring	18	1	CAS-S	Solenoid Body
6	1	CAS-BW	Base Washer	19	1	CAS-F	Filter
7	1	CAS-WP	Base Gasket	20	1	CAS-N	Nipple
8	2	CAS-MA	Mounting Assembly	21	1	CAS-BH	Battery Housing
9	1	CAS-SON	Solenoid O-Ring	22	1	CAS-D	Diaphragm
10	1	CAS-SON2	Solenoid O-Ring	23	1	CAS-SV	Solenoid Valve
11	1	CAS-SS	Solenoid Screw	24	1	BKF-AC	AC Plug
12	1	CAS-IRS	Infra Red Sensor				

PRODUCT SPECIFICATION SHEET

RESOURCES

