



# Flat Top Work Tables

## 14 Ga. Stainless Steel Work Tables



Use your smart phone to scan the above QR code to visit our website:  
www.bk-resources.com



### Certifications:



### Features:

- Three (3) Sound Deadened Integrally Welded 5" "C" Channels to Reinforce and Maintain Level Working Surface
- 1 5/8" Diameter Stainless Steel Legs
- 1 Year Warranty

### Options:

- Single & Double Overshelves
- Drawer Assemblies
- Casters
- Upgraded Feet
- Extra Shelves
- Adjustable Table Mount Pot Rack

### Material:

#### QTT Series: S/S w/ Galvanized Legs & Undershelf

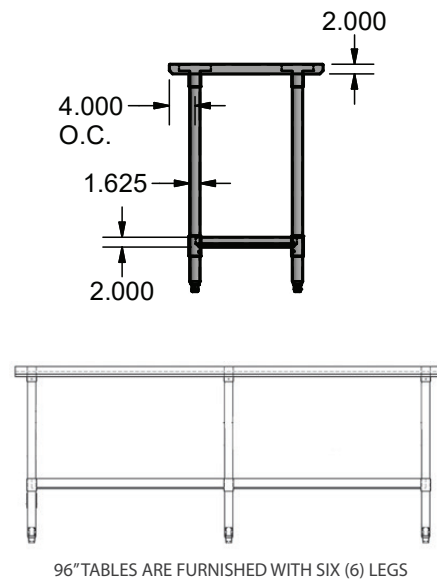
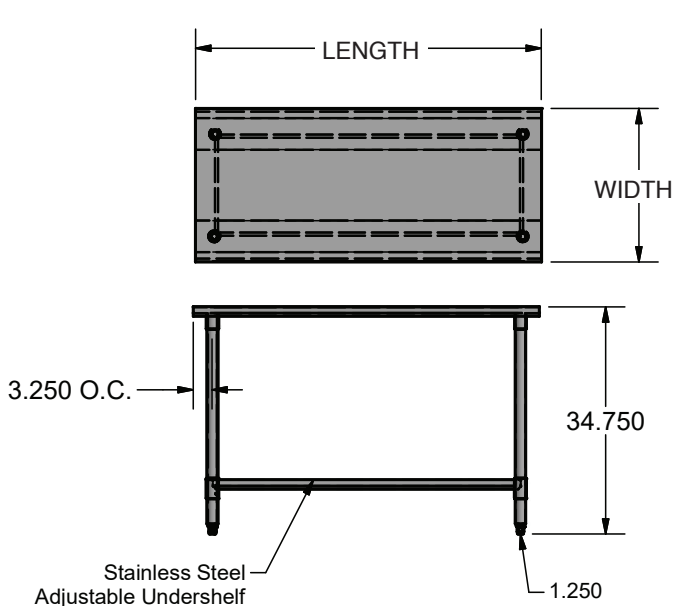
- T-304 14 ga. Stainless Steel Top
- Galvanized Legs & Adjustable Undershelf
- Adjustable High Impact Corrosion Resistant Feet

#### QVT Series: S/S w/ Stainless Steel Legs & Undershelf

- T-304 14 ga. Stainless Steel Top
- Stainless Steel Legs & Adjustable Undershelf
- Adjustable Stainless Steel Feet

QTT Series		
S/S w/ Galv. Legs & Undershelf		
Part #	Length	Width
QTT-3636	36"	36"
QTT-4836	48"	36"
QTT-6036	60"	36"
QTT-7236	72"	36"
QTT-9636	96"	36"

QVT Series		
S/S w/S/S Legs & Undershelf		
Part #	Length	Width
QVT-3636	36"	36"
QVT-4836	48"	36"
QVT-6036	60"	36"
QVT-7236	72"	36"
QVT-9636	96"	36"



PRODUCT DATA SHEET

BK RESOURCES

