



Open Base Flat Top Work Table

Stainless Steel Work Tables



Use your smart phone to scan the above QR code to visit our website:
www.bk-resources.com

Certifications:



Features:

- 1 5/8" Stainless Steel Legs
- Legs Adjust 1" in Height
- Ships KD
- Three Sound Deadened Integrally Welded 5" C Channels to Reinforce & Maintain Level Working Surface
- 96" Tables Have 6 Legs
- 1 Year Warranty

Options:

- Single & Double Overshelves
- Drawer Assemblies
- Casters
- Adjustable Table Mount Pot Rack



Material:

QTTOB Series: S/S w/ Galvanized Legs & Bracing

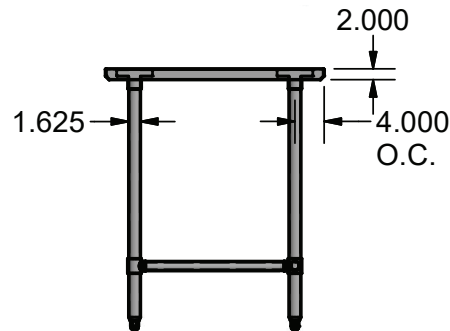
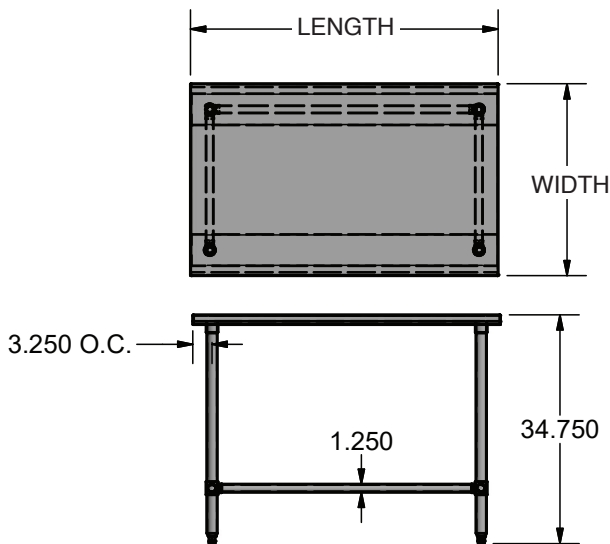
- T-304 14 ga. Stainless Steel Top
- Galvanized Legs & Bracing
- Adjustable High Impact Corrosion Resistant Feet
- Capacity: 800 lbs Evenly Distributed

QVTOB Series: S/S w/ Stainless Steel Legs & Bracing

- T-304 14 ga. Stainless Steel Top
- Stainless Steel Legs & Bracing
- 1 1/4" Adjustable Stainless Steel Feet
- Capacity: 1,200 lbs Evenly Distributed

QTTOB Series		
S/S w/ Galv. Legs & Bracing		
Part #	Length	Width
QTTOB-3636	36"	36"
QTTOB-4836	48"	36"
QTTOB-6036	60"	36"
QTTOB-7236	72"	36"
QTTOB-9636	96"	36"

QVTOB Series		
S/S w/ S/S Legs & Bracing		
Part #	Length	Width
QVTOB-3636	36"	36"
QVTOB-4836	48"	36"
QVTOB-6036	60"	36"
QVTOB-7236	72"	36"
QVTOB-9636	96"	36"



1.250 Adjustable Stainless Steel Feet

PRODUCT DATA SHEET

BK RESOURCES

