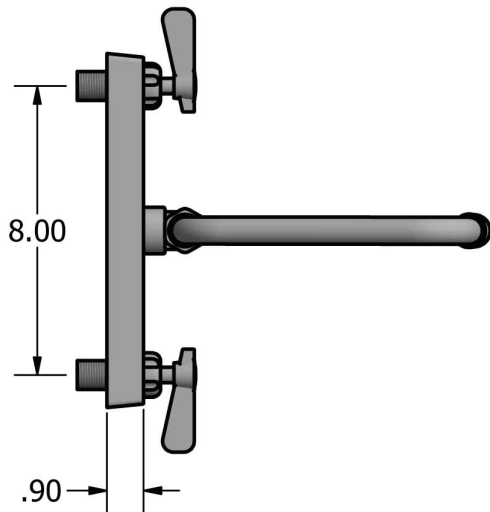
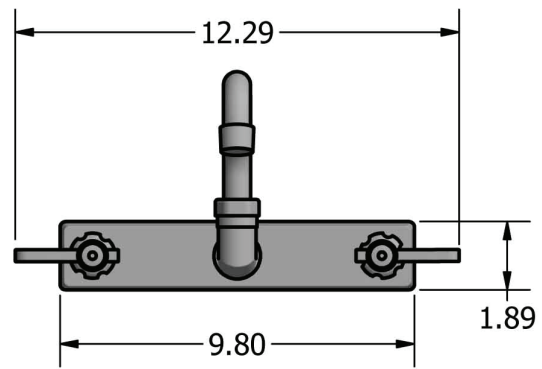
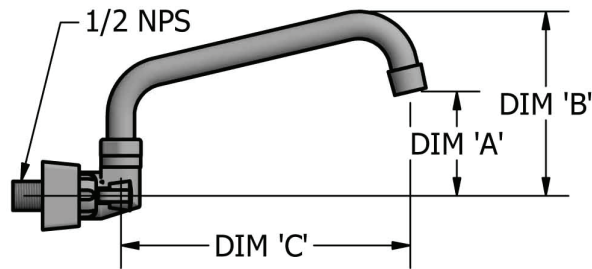




Use your smart phone to scan the above QR code to visit our website: www.bk-resources.com

8" Splash Mount Stainless Steel Faucet with Swing Spout

Model: EVO-8SM



Product Specifications:

- T-304 Cast Stainless Steel
- 1/4 Turn Ceramic Cartridges
- Color Coded Hot & Cold Indicators
- Double O-Ring Spout Seal
- Chrome Plated Metal Cover
- Integral Check Valve
- Lead Free Compliant

Product Detail:

| Model Number | DIM. A | DIM. B | DIM. C |
|--------------|--------|--------|--------|
| EVO-8SM-6 | 1.69" | 4.25" | 6" |
| EVO-8SM-8 | 1.94" | 4.63" | 8" |
| EVO-8SM-10 | 2.25" | 4.88" | 10" |
| EVO-8SM-12 | 2.00" | 4.69" | 12" |
| EVO-8SM-14 | 2.88" | 5.56" | 14" |
| EVO-8SM-16 | 2.38" | 5.13" | 16" |

Certifications:



PRODUCT SPECIFICATION SHEET

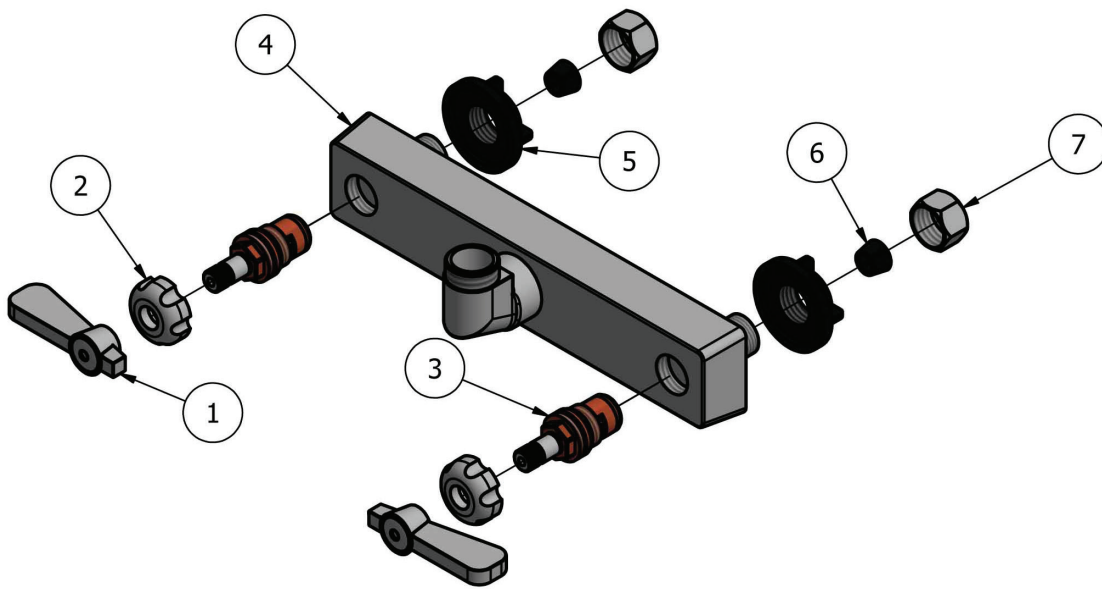
RESOURCES





8" Splash Mount Stainless Steel Faucet with Swing Spout

Model: EVO-8SM



Exploded Parts Detail:

| Diagram # | Quantity | Part Number | Description |
|-----------|----------|----------------|---------------------|
| 1 | 2 | EVO-8SM-HANDLE | Handle |
| 2 | 2 | EVO-8SM-BONNET | Valve Bonnet |
| 3 | 2 | EVO-8SM-VALVE | Ceramic Valve |
| 4 | 1 | EVO-8SM-BODY | Faucet Body |
| 5 | 2 | EVO-8SM-MN | Mounting Nut |
| 6 | 2 | EVO-8SM-CF | Compression Fitting |
| 7 | 2 | EVO-8SM-CN | Compression Nut |

PRODUCT SPECIFICATION SHEET

RESOURCES

