



Item: _____

Quantity: _____

Project: _____

Snack Radiant Broiler

Snack Radiant Broiler

Models:	<input type="checkbox"/> RSRB-12	<input type="checkbox"/> RSRB-18	<input type="checkbox"/> RSRB-24
	<input type="checkbox"/> RSRB-30	<input type="checkbox"/> RSRB-36	<input type="checkbox"/> RSRB-48



Gas Type: Natural LP

Elevation (if above 2000 ft.): _____

Options and Accessories

- Stainless steel splash guard, up to 12" high, sides tapered to 4" in front
- Add plate shelf with or without cutouts
- Stainless Steel Equipment Stand
 - Knock Down All Welded

Size

- 12" 18" 24" 30" 36" 48" 60" 72"
- 5" swivel casters (set of four - 2 locking)
- 5" swivel casters (set of four - 2 locking) (60" and 72" stands)

Standard Features

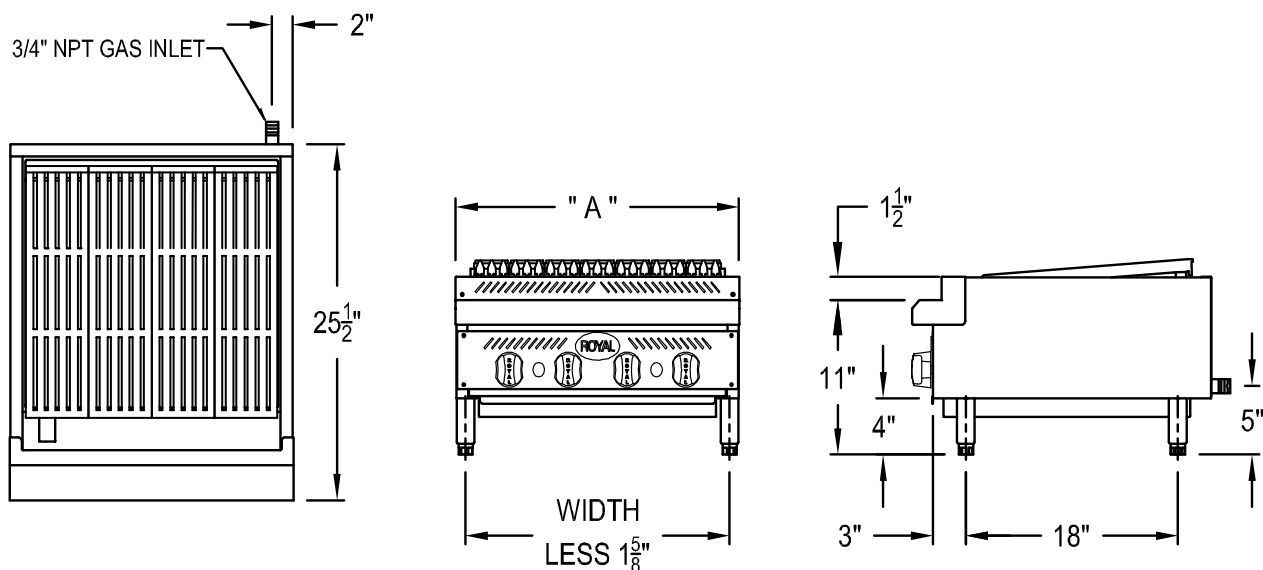
- 11" high, Low Profile
- Easily removable independent firebox assembly
- Full width, removable stainless steel crumb pan under the broiler for easy cleaning
- 18" Cooking Surface
- Compact heavy gauge chassis for long life
- Stainless steel sides, front valve cover and ledge
- Double wall panels for cooler sides
- Stainless Steel tubular burners rated at 12,500 BTU/hr each
- Individually adjustable burners provide powerful radiant heat
- Standing pilots for instant ignition
- Heavy duty cast iron top grates
- Stainless steel tubing for pilots
- 4" high adjustable heavy duty legs included
- Two year limited warranty, parts and labor



Royal Range of California, Inc.
 3245 Corridor Dr. • Eastvale, CA 91752 • (800) 769-2414 • (951) 360-1600
 Fax: (951) 360-7500 • www.royalranges.com • sales@royalranges.com



Snack Radiant Broiler



Model Number	Width (A)	Number of Burners	Total BTU	Ship Weight
RSRB-12	12"	1	12,500	113 lbs.
RSRB-18	18"	3	37,500	150 lbs.
RSRB-24	24"	4	50,000	197 lbs.
RSRB-30	30"	5	62,500	260 lbs.
RSRB-36	36"	6	75,000	311 lbs.
RSRB-48	48"	8	100,000	365 lbs.

Gas Connection:

3/4" NPT on the right hand rear of the appliance.
The pressure regulator (supplied) is to be connected by the installer.

Gas Pressure:

5" W.C.	Natural Gas
10" W.C.	Propane

Clearances: For installation in non combustible locations only

	Combustible	Non-Combustible
Rear	N/A	0"
Sides	N/A	0"

Specify type of gas and altitude, if over 2,000 feet, when ordering.

Due to continuing product development to ensure best possible performance, these specifications are subject to change without prior notification.

Royal Range of California, Inc.
3245 Corridor Dr. • Eastvale, CA 91752 • (800) 769-2414 • (951) 360-1600
Fax: (951) 360-7500 • www.royalranges.com • sales@royalranges.com