



Job Name _____

Item # _____

FOOD SERVICE EQUIPMENT

Spec Sheet No. TR-1

Buffet Table

- B2-120-B or G ○ B2-208-B or G ○ B2-240-B or G
- B3-120-B or G ○ B3-208-B or G ○ B3-240-B or G
- B4-120-B or G ○ B4-208-B or G ○ B4-240-B or G
- B5-208-B or G ○ B5-240-B or G

Stainless Steel Well Models

- B2-120-(B or G)-S ○ B2-208-(B or G)-S ○ B2-240-(B or G)-S
- B3-120-(B or G)-S ○ B3-208-(B or G)-S ○ B3-240-(B or G)-S
- B4-120-(B or G)-S ○ B4-208-(B or G)-S ○ B4-240-(B or G)-S
- B5-208-(B or G)-S ○ B5-240-(B or G)-S

Accessories:

- Solid tray Shelf - Models **TTS-(2-5)**
- Tubular Tray Rail - Models **TTR-(2-5)**
- Dish Shelf Add-On(mount under tray shelf)- Models **TDS-(2-5)**
- Stainless End Shelf - Model **BES-2**
- Aluminum Spillage Pans - Model **SP-A**
- Stainless Steel Spillage Pans - Model **SP-S**

Consult Factory for:

- Heat Lamp Assembly
- Fluorescent Light Assembly



B4-120-B Shown.

Specifications

- TOP:** 20 gauge #302 stainless steel with die stamped pan openings. (11.875" x 20.062")
- BODY:** 20 gauge vinyl clad steel (Granite or Black)
- LEGS:** 20 gauge vinyl clad steel with 4" casters
- TRAY SHELF:** 18 gauge stainless steel tray shelf-drop down-1 sided
- LINING:** 8" deep 22 gauge galvanized steel or #302 stainless steel lining (optional w/ -S suffix)
- SNEEZE GUARD:** 1/4" Lexan®
- FINISH:** Gray Granite (G) or Matte Black (B) vinyl clad steel.

Features

- 6' electrical cord with plug
- Infinite control knobs
- Indicator lights
- Single phase wiring
- 500 Watt elements (120 volt)
- 750 Watt elements (208 volt)
- 1000 Watt elements (240 volt)
- Fiberglass insulation between each compartment



Freight Class 85

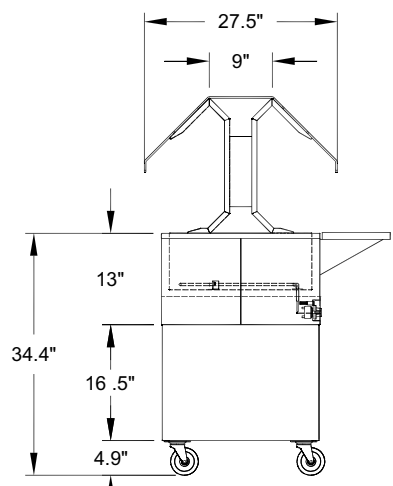
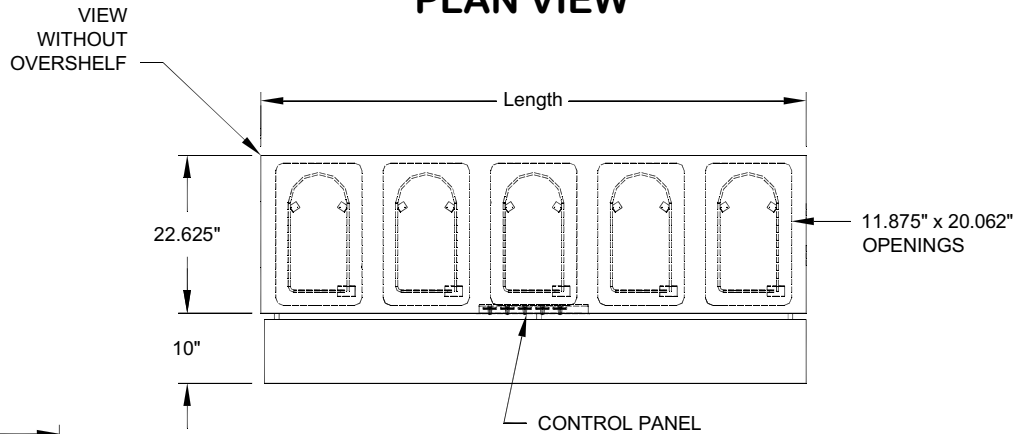


3125 Trotters Parkway
 Alpharetta, GA 30004
 www.suprememetal.com

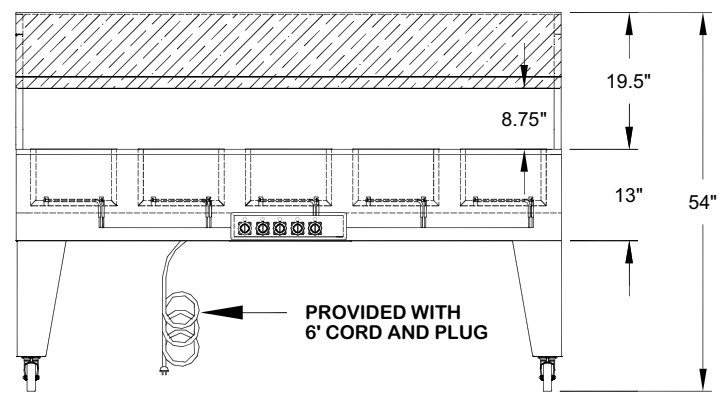
Toll Free: 800-645-2526
 770-740-6000
 Fax: 770-740-6010



PLAN VIEW



SECTIONAL VIEW



ELEVATION VIEW

All dimensions are the same for the stainless steel wells option.

Model #	Length	# of Wells	Weight	Cubic Feet	NEMA Plug	True Amp Draw / Watts per Unit
B2-120-G or B	A = 31 ^{-13/16} "	2	145	38.93	5-20P	8.33 / 1000
B3-120-G or B	B = 47 1/8"	3	190	55.62	5-20P	12.5 / 1500
B4-120-G or B	C = 62 7/16"	4	240	73.41	L5-30P	16.67 / 2000
B2-208-G or B	A = 31 ^{-13/16} "	2	145	38.93	6-20P	7.21 / 1500
B3-208-G or B	B = 47 1/8"	3	190	55.62	6-20P	10.82 / 2250
B4-208-G or B	C = 62 7/16"	4	240	73.41	6-20P	14.42 / 3000
B5-208-G or B	D = 77 3/4"	5	295	90.10	L6-30P	18.03 / 3750
B2-240-G or B	A = 31 ^{-13/16} "	2	145	38.93	6-20P	8.33 / 2000
B3-240-G or B	B = 47 1/8"	3	190	55.62	6-20P	12.5 / 3000
B4-240-G or B	C = 62 7/16"	4	240	73.41	L6-30P	16.67 / 4000
B5-240-G or B	D = 77 3/4"	5	295	90.10	L6-30P	20.83 / 5000



We reserve the right to modify specifications in line with our policy of continuous product improvement.