



Job Name _____

Item # _____

FOOD SERVICE EQUIPMENT

Spec Sheet No. TR-13

Gas Hot Food Table

- HF-2G-NAT
- HF-3G-NAT
- HF-4G-NAT
- HF-5G-NAT
- HF-2G-LP
- HF-3G-LP
- HF-4G-LP
- HF-5G-LP

Stainless Steel Well Models

- HF-2G-NAT-SS
- HF-3G-NAT-SS
- HF-4G-NAT-SS
- HF-5G-NAT-SS
- HF-2G-LP-SS
- HF-3G-LP-SS
- HF-4G-LP-SS
- HF-5G-LP-SS

Accessories:

- Portable Kit -LP Only (5"casters, 2 locking & push handle) - Add Prefix **P-**
- Solid tray Shelf - Models **TTS-(2-5)**
- Tubular Tray Rail - Models **TTR-(2-5)**
- Dish Shelf Add-On(mount under tray shelf)- Models **TDS-(2-5)**
- Stainless End Shelf - Model **BES-2**
- Double or Single Overshelf - Models **TOS-(2-5) & STOS-(2-5)**
- Buffet Shelf - Model **TBS-(2-5)**
- Serving Shelf - Model **TSS-(2-5)**
- Aluminum Spillage Pans - Model **SP-A**
- Stainless Steel Spillage Pans - Model **SP-S**



HF-4G-NAT Shown.

Specifications

TOP: 20 gauge #302 stainless steel with die stamped pan openings. (11.875" x 20.062")

BODY: 22 gauge #430 stainless steel.

LEGS: 18 gauge #302 stainless steel with fully adjustable non marking tip.

UNDERSHELF: 22 gauge #430 stainless steel.

CUTTING BOARD: 1" thick white thermoplastic.

CUTTING BOARD BRACKETS: 16 gauge #302 stainless steel.

LINING: 8" deep 22 gauge galv. steel or # 302 stainless steel lining (optional w/ -SS suffix).

Features

3500 BTU'S per burner

Stainless steel undershelf standard

Control knobs with high, medium, and low settings

Pilot indicator openings

Fiberglass insulation between each compartment

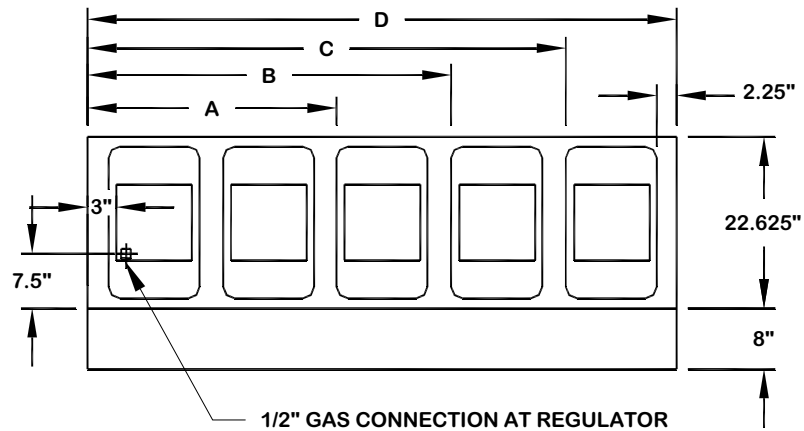


Freight Class 85

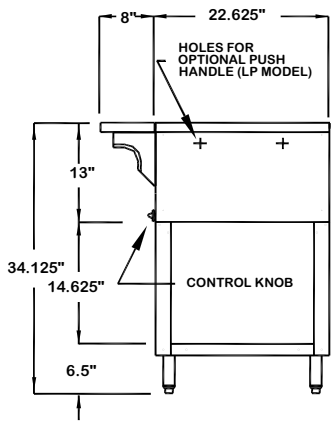


3125 Trotters Parkway
Alpharetta, GA 30004
www.suprememetal.com

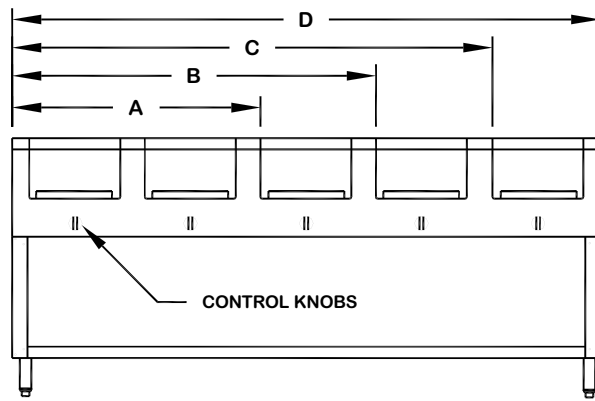
Toll Free: 800-645-2526
770-740-6000
Fax: 770-740-6010



4" W.C. FOR NAT. GAS / 10" W.C. FOR LP GAS



SECTIONAL VIEW



ELEVATION VIEW

All dimensions are the same for the stainless steel wells option.

Model #	Length	# of Wells	Cubic Feet	Weight
HF-2G-NAT	A = 31- ¹³ / ₁₆ "	2	28.1	92
HF-3G-NAT	B = 47 ¹ / ₈ "	3	41.32	120
HF-4G-NAT	C = 62 ⁷ / ₁₆ "	4	54.55	152
HF-5G-NAT	D = 77 ³ / ₄ "	5	66.94	170
HF-2G-LP	A = 31- ¹³ / ₁₆ "	2	28.1	92
HF-3G-LP	B = 47 ¹ / ₈ "	3	41.32	120
HF-4G-LP	C = 62 ⁷ / ₁₆ "	4	54.55	152
HF-5G-LP	D = 77 ³ / ₄ "	5	66.94	170

