



Portable Bars

Spec Sheet No. AM-1

Job Name _____

Item No. _____

- **AMS-6B**
- **AMD-6B**
- **AMS-6B-7**
- **AMD-6B-7**

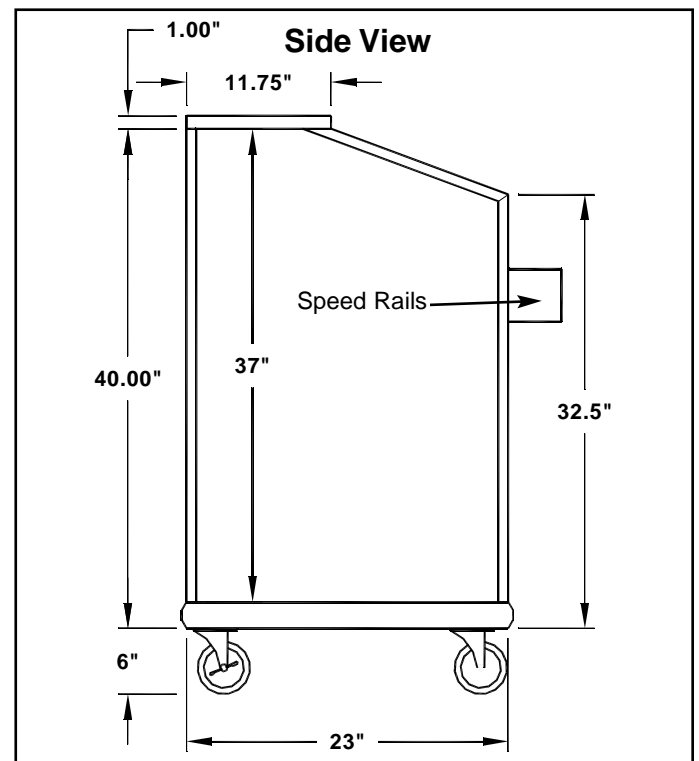
The -7 denotes 7 circuit cold plate model.



AMD-6B shown.

Specifications

- **Construction:** All stainless steel construction. (interior, doors and bottom) Top and side panels finished in black laminate.
- **Work Area:** Stainless steel work top.
- **Ice Bin:** Insulated 13 x 18 x 11 bin, complete with drain and shut-off valve. Same specifications on 7 circuit cold plate model.
- **Casters:** 4 ea. 6" swivel casters (2 ea locking)
- **Accessories :** 3 ea. BK-2 stainless steel speed rails(AMD models) or 2 ea. BK-3 speed rails(AMS models) & full perimeter bumper.
- **Shipping Weight:** AMS-6B = 350 lbs.
AMD-6B = 370 lbs. AMS-6B-7 = 400 lbs.
AMD-6B-7 = 420 lbs.



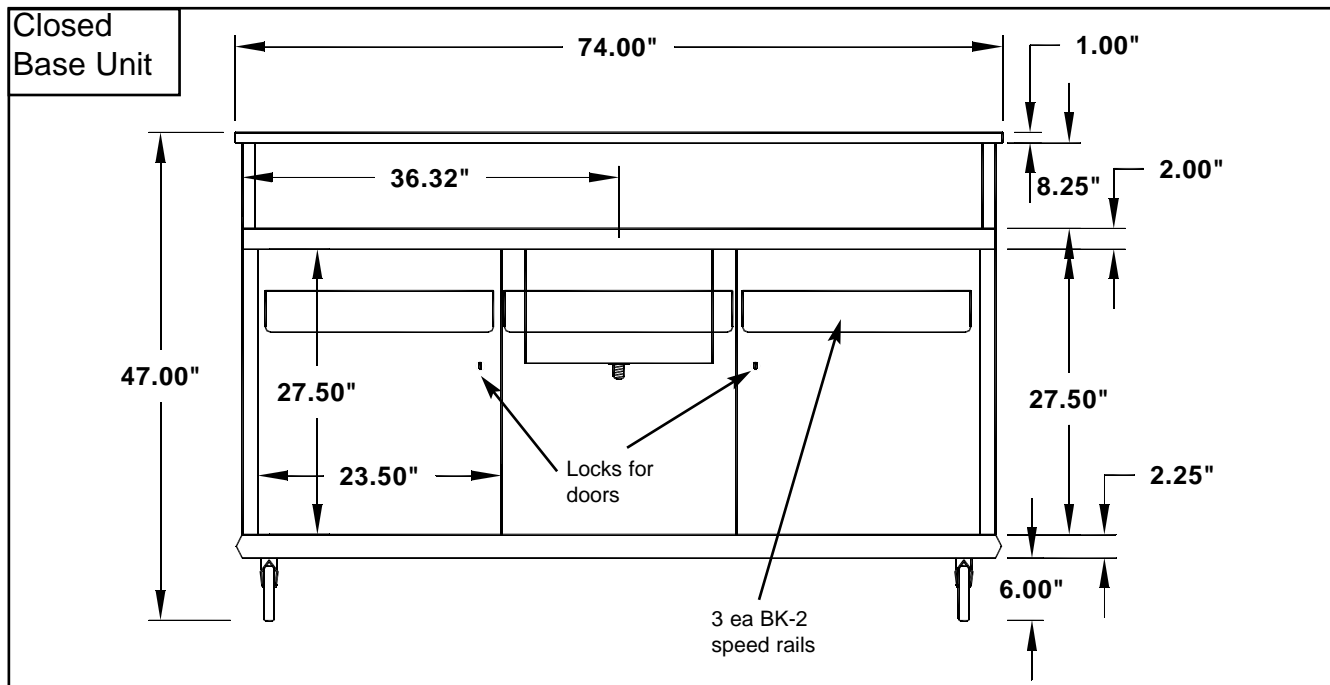
Supreme Metal



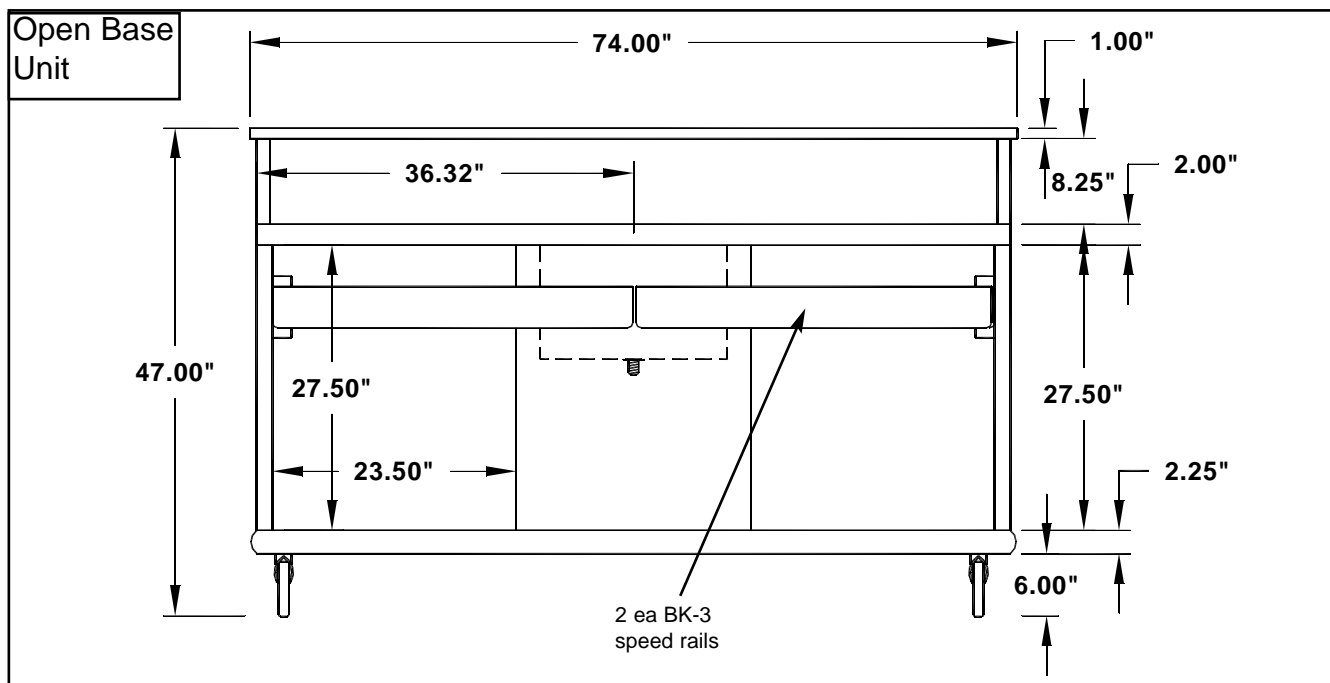
Toll Free: 800-645-2526
Fax: 770-740-6010
www.suprememetal.com

Portable Bars

Ambassador Portable Bar



Model #	Distance to Drain	Storage Cabinet Dims.	Liquor Bottle Capacity
AMD-6B	36.32	23.5 X 21 X 27.5 each side	15-18
AMD-6B-7	36.32	23.5 X 21 X 27.5 each side	15-18



Model #	Distance to Drain	Storage Cabinet Dims.	Liquor Bottle Capacity
AMS-6B	36.32	23.5 X 21 X 27.5 each side	15-18
AMS-6B-7	36.32	23.5 X 21 X 27.5 each side	15-18