

## MODELS

KFM-FG-(40, 50, 60, 80, 100, 120)-S

KFM-FG-(40, 50, 60, 80, 100, 120)-R

**FLAT GLASS DELI CASE  
DESIGNED FOR FRESH MEAT**

CASE HOLDS 33°F TO 40°F • LOW VELOCITY FORCED AIR REFRIGERATION MAINTAINS HIGH HUMIDITY  
TEMPERED TILT OUT FLAT FRONT GLASS • TEMPERED SIDE GLASS & REAR SLIDING DOORS  
CASES CAN BE MULTIPLEXED



Intertek



Intertek



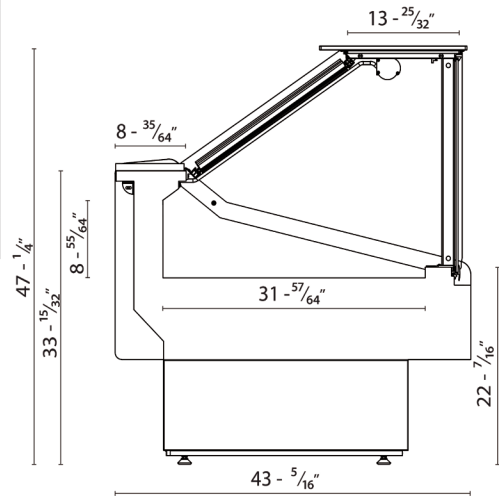
AUTODESK®  
REVIT®

| SELF CONTAINED | Model        | O.A. Length (inches) | Volume FT <sup>3</sup> | Electrical 115 Volts |       |                  |          |            | NEMA 115 V Plug | Weight lbs |            | Crate Size (inches) |    |    |
|----------------|--------------|----------------------|------------------------|----------------------|-------|------------------|----------|------------|-----------------|------------|------------|---------------------|----|----|
|                |              |                      |                        | Compressor           |       | LIGHTS Fans HTRS | EVAP PAN | Total Amps |                 | No Crate   | With Crate | L"                  | W" | H" |
|                |              |                      |                        | H.P                  | F.L.A |                  |          |            |                 |            |            |                     |    |    |
|                | KFM-FG-40-S  | 40.4                 | 15.35                  | 3/8                  | 8.4   | 0.95             | 3.3      | 12.68      | 5-15P           | 350        | 512        | 48                  | 44 | 42 |
|                | KFM-FG-50-S  | 52.2                 | 20.22                  | 1/2                  | 9.6   | 0.96             | 3.3      | 13.89      | 515P            | 399        | 582        | 59                  | 44 | 42 |
|                | KFM-FG-60-S  | 60                   | 23.47                  | 1/2                  | 9.6   | 1.08             | 3.3      | 14.01      | 5-15P           | 451        | 650        | 67                  | 44 | 42 |
|                | KFM-FG-80-S  | 77.5                 | 30.70                  | 5/8                  | 8.9   | 1.68             | 3.3      | 13.91      | 5-15P           | 561        | 825        | 85                  | 44 | 42 |
|                | KFM-FG-100-S | 101.2                | 40.45                  | 3/4                  | 16    | 1.81             | 3.3      | 21.14      | N/A             | 695        | 974        | 109                 | 44 | 42 |
|                | KFM-FG-120-S | 117                  | 46.95                  | 3/4                  | 16    | 2.06             | 3.3      | 21.39      | N/A             | 830        | 1204       | 124                 | 44 | 42 |

| REMOTE       | Model | O.A. Length (inches) | 115 Volts Total Amps | B.T.U | Weight lbs  |            |
|--------------|-------|----------------------|----------------------|-------|-------------|------------|
|              |       |                      |                      |       | No Crate    | With Crate |
|              |       |                      |                      |       | KFM-FG-40-R | 40.4       |
| KFM-FG-50-R  | 52.2  | 0.51                 | 3015                 | 344   | 526         |            |
| KFM-FG-60-R  | 60    | 0.63                 | 3159                 | 397   | 595         |            |
| KFM-FG-80-R  | 77.5  | 0.78                 | 4345                 | 529   | 791         |            |
| KFM-FG-100-R | 101.2 | 0.91                 | 5112                 | 642   | 919         |            |
| KFM-FG-120-R | 117   | 1.16                 | 5472                 | 765   | 1138        |            |

#### STANDARD FEATURES

- CFC free injected foam insulation
  - Stainless steel interior
  - Stainless steel rear work bench
  - Silver colored PVC coated steel front panel
  - Black steel kick plate
  - Foamed polystyrene black end panels
  - Tempered tilt-forward front glass
  - Removable rear tempered glass sliding doors
  - LED lighting in canopy
  - Temperature and defrost regulated by a digital controller
  - Removable condensate evaporating pan for easy cleaning on self contained units
  - Slide out condensing unit on self-contained units
  - Digital thermometer
  - Levelling feet
- #### OPTIONAL FEATURES
- Stainless steel exterior
  - Other colors available
  - Joining Kit
  - Partition
  - Condensate evaporating pan for remote cases
  - White epoxy bi-level wire racks; 2 or 3 level step sham
  - Scale stand with receptacle
  - Cutting board
  - Knife Support
  - Casters add 4-3/8" to height
  - Stainless steel legs are adjustable from 5-1/8" to 7-5/8"



Standard Mounting



Levelling Feet

Optional Mounting



Adjustable Legs




Casters


#### NOTE

These cases are engineered to operate in locations not exceeding 75°F and 55% R.H. These cases are designed to operate using R404a refrigerant. Alternate refrigerants available by special order. O.A. length includes (2) ends at 1-1/2" each. Ventilation grills at front and back cannot be blocked. B.T.U.'s are calculated at 14°F (evaporator) and 90°F (ambient). Remote cases are provided with an expansion valve and a liquid solenoid for pump down cycle. On remote cases, if no floor drain is provided, a condensate evaporating pan must be ordered and 3.3 amps added to the amp load. Remote cases must be hard wired – no plugs.

#### WARRANTY

One year parts and labor with an additional four years on the compressor (part only)

 Tel: 786.600.4687 / Toll Free: 844.218.8477  
Fax: 786.661.4100

 Tel: 514.737.9701 / Toll Free: 888.275.4538  
Fax: 514.342.3854 / toll free: 877.453.8832

06/2017 sales@mvpgroupcorp.com / mvpgroupcorp.com



Hydra - Kool is a registered trademark of MVP Group Corp.  
SPECIFICATIONS SUBJECT TO CHANGE WITHOUT NOTICE