



COMMERCIAL HIGH PERFORMANCE 10

Electric Heated Air Curtain

Data Sheet

For Door Heights To 10' (environmental separation)

STANDARD CONSTRUCTION

- 14" high x 15" deep
- 1/2 hp three speed motor(s)
- Factory installed fan speed/heat switch
- White aluminum exterior cover (Optional: Custom Color or Stainless)
- Wall & Top Mounting

- Patented venturi open helical element with point suspension
 - Thermal overload protection
 - Galvanized steel frame
- Alternate kW: see sheet EP-112

2 Year
Limited
Warranty



MODEL	Nozzle Width (in)	Max Vel. at Nozzle (fpm)	Avg. Outlet Vel. (fpm)	Air Volume (cfm)	Outlet Vel. Uniformity	Power Rating (kW)	Motor(s) @ hp	Max Electric Capacity (kW)	Heater Output (MBH)	Air Temp. Rise (°F)	Net Wt. (lbs)
CHC10-1036E	36.00	5,917	1,990	1,741	61%	0.73	1 @ 1/2	14.0	47.8	25°	52
CHC10-1042E	42.00	4,418	1,748	1,784	54%	0.74	1 @ 1/2	14.0	47.8	25°	55
CHC10-1048E	48.00	3,815	1,515	1,768	62%	0.75	1 @ 1/2	14.0	47.8	25°	56
CHC10-1060E	60.00	2,930	1,184	1,726	48%	0.73	1 @ 1/2	14.0	47.8	26°	63
CHC10-2060E	60.00	3,963	1,801	2,626	74%	1.21	2 @ 1/2	21.0	71.7	25°	96
CHC10-2072E	72.00	5,917	1,990	3,482	61%	1.45	2 @ 1/2	28.0	95.6	25°	104
CHC10-2084E	87.00	4,418	1,687	3,568	54%	1.49	2 @ 1/2	28.0	95.6	25°	110
CHC10-2096E	99.00	3,815	1,470	3,536	62%	1.49	2 @ 1/2	28.0	95.6	25°	112
CHC10-3096E	99.00	2,930	1,815	4,367	61%	1.93	3 @ 1/2	35.0	119.5	25°	148
CHC10-2108E	111.00	3,963	1,295	3,494	48%	1.48	2 @ 1/2	28.0	95.6	25°	119
CHC10-3108E	111.00	5,917	1,936	5,223	61%	2.18	3 @ 1/2	42.0	143.3	25°	156
CHC10-2120E	116.25	2,930	1,222	3,452	48%	1.47	2 @ 1/2	28.0	95.6	26°	126
CHC10-3120E	116.25	4,418	1,864	5,266	54%	2.19	3 @ 1/2	42.0	143.3	25°	159

1. NOTE: Operation at 50 Hz will generate approximately a 17% reduction in air performance.

2. Performance data based on AMCA licensed data from unheated units.

Berner does not recommend CHC10-1060E, CHC10-2108E & CHC10-2120E, exists only as an equivalent to competitors' models.

See sheet EP-112 for amp draws/total load requirements and alternate kW.

MODEL NUMBER CONFIGURATION

CHC10-1 036 E B-R-SS

Series	# of Motors	Opening Width	Heat	Voltage	Opt. Switch	Opt. Cabinet Finish
CHC10	1, 2, 3	036" - 120"	E=Electric Heated	*B=208/1/60 *J=240/1/60 *V=220/1/50 K=120/480 L=120/600 S=208/480 U=240/480 M=208/600 N=240/600 X=208/3/60 Y=240/3/60 Z=480/3/60 Q=600/3/60 O=380/3/50	Remote Switch	SS=Stainless Steel CC=Custom Color

*Max 15kW

See sheet EP-112

for available lengths and voltages

Sound level measured 10' (3m) from the unit in free field:

1 motor:	Low/Medium/High Speed:	64/65/66 dBA
2 motors 60":	Low/Medium/High Speed:	66/67/68 dBA
2 motors:	Low/Medium/High Speed:	67/68/69 dBA
3 motors:	Low/Medium/High Speed:	70/71/72 dBA

Berner reserves the right to alter specifications without prior notice.



COMMERCIAL HIGH PERFORMANCE 10

Electric Heated Air Curtain

Electrical Performance Sheet

MODEL	*kW option	Temp Rise °F	208/1/60 (voltage code B) MOTOR AMP DRAW = 3.5 each			240/1/60 (voltage code J) or 220/1/50 (voltage code V) MOTOR AMP DRAW = 3.5 each			208/3/60 (voltage code X) MOTOR AMP DRAW = 3.5 each			240/3/60 (voltage code Y) MOTOR AMP DRAW = 3.5 each		
			# CKTS	AMPS PER CIRCUIT (including motor)	BREAKER RATING PER CIRCUIT	# CKTS	AMPS PER CIRCUIT (including motor)	BREAKER RATING PER CIRCUIT	# CKTS	AMPS PER CIRCUIT (including motor)	BREAKER RATING PER CIRCUIT	# CKTS	AMPS PER CIRCUIT (including motor)	BREAKER RATING PER CIRCUIT
CHC10-1036E CHC10-1042E CHC10-1048E CHC10-1060E	14	25	2	26.0/44.9	35/60	2	23.0/38.9	30/50	1	42.4	60	1	37.2	50
	10	18	2	19.5/32.0	25/40	1	45.2	60	1	31.3	40	1	27.6	35
	8	14	1	42.0	60	1	36.8	50	1	25.7	35	1	22.7	30
	6	11	1	32.3	45	1	28.5	40	1	20.2	30	1	17.9	25
CHC10-2060E	21	25	-	N/A	N/A	-	N/A	N/A	2	26.4/38.9	35/50	2	23.8/33.7	30/45
	15	18	2	31.0/48.1	40/60	2	27.8/41.7	35/60	1	48.6	60	1	43.1	60
	12	14	2	26.2/38.5	35/50	2	23.7/33.3	30/45	1	40.3	50	1	35.9	45
	9	11	2	21.4/28.8	30/40	1	44.5	60	1	32.0	40	1	28.7	35
CHC10-2072E CHC10-2084E CHC10-2096E CHC10-2108E CHC10-2120E	28	25	-	N/A	N/A	-	N/A	N/A	2	45.9/38.9	60/50	2	40.7/33.7	50/45
	20	18	-	N/A	N/A	2	N/A	N/A	2	34.8/27.8	45/35	2	31.1/24.1	40/35
	16	14	2	45.5/38.5	60/50	2	40.3/33.3	50/45	2	29.2/22.2	40/30	1	45.5	60
	12	11	2	35.8/28.8	45/40	2	32.0/25.0	40/35	1	40.3	50	1	35.9	45
CHC10-3096E	35	25	-	N/A	N/A	-	N/A	N/A	3	29.9/38.9/38.9	40/50/50	3	27.3/33.7/33.7	35/45/45
	25	18	-	N/A	N/A	-	N/A	N/A	2	38.3/41.6	50/60	2	34.6/36.1	45/50
	20	14	-	N/A	N/A	-	N/A	N/A	2	32.7/33.3	40/45	2	29.7/28.9	40/40
	15	11	2	39.3/43.3	50/60	2	35.5/37.5	45/50	2	27.2/25.0	35/35	2	24.9/21.7	30/30
CHC10-3108E CHC10-3120E	42	25	-	N/A	N/A	-	N/A	N/A	3	49.4/38.9/38.9	60/50/50	3	44.2/33.7/33.7	60/45/45
	30	18	-	N/A	N/A	-	N/A	N/A	3	38.3/27.8/27.8	50/35/35	2	34.6/48.1	45/60
	24	14	-	N/A	N/A	-	N/A	N/A	2	32.7/44.4	40/60	2	29.7/38.5	40/50
	18	11	-	N/A	N/A	-	N/A	N/A	2	27.2/33.3	35/45	2	24.9/28.9	30/40



COMMERCIAL HIGH PERFORMANCE 10

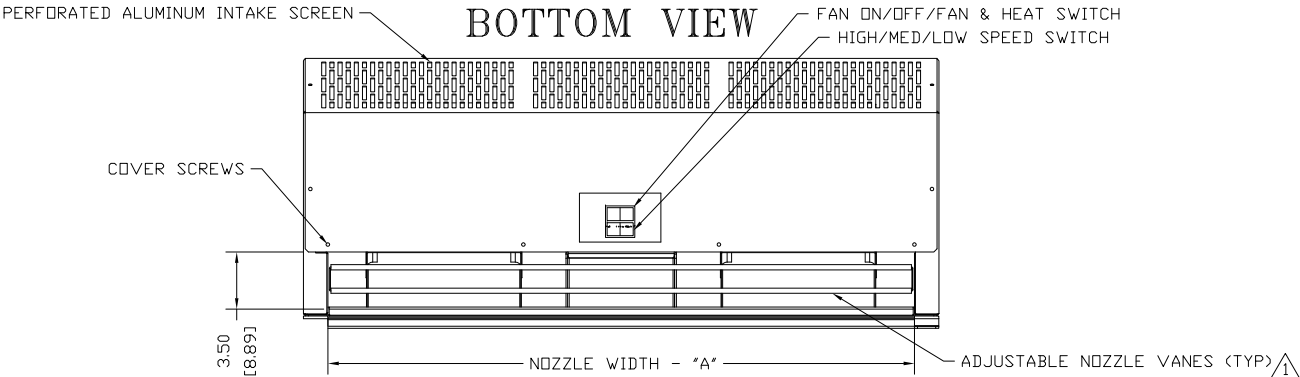
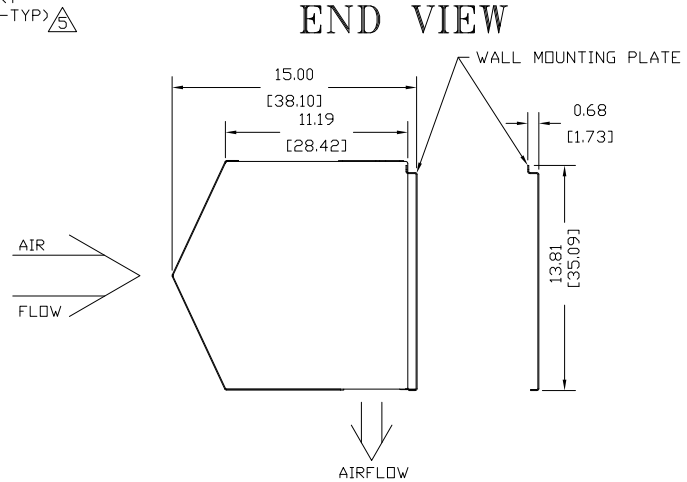
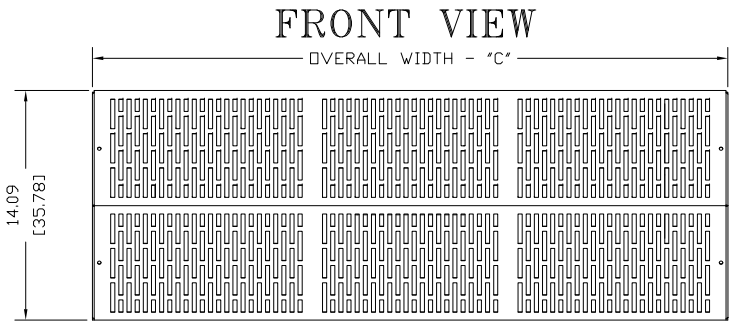
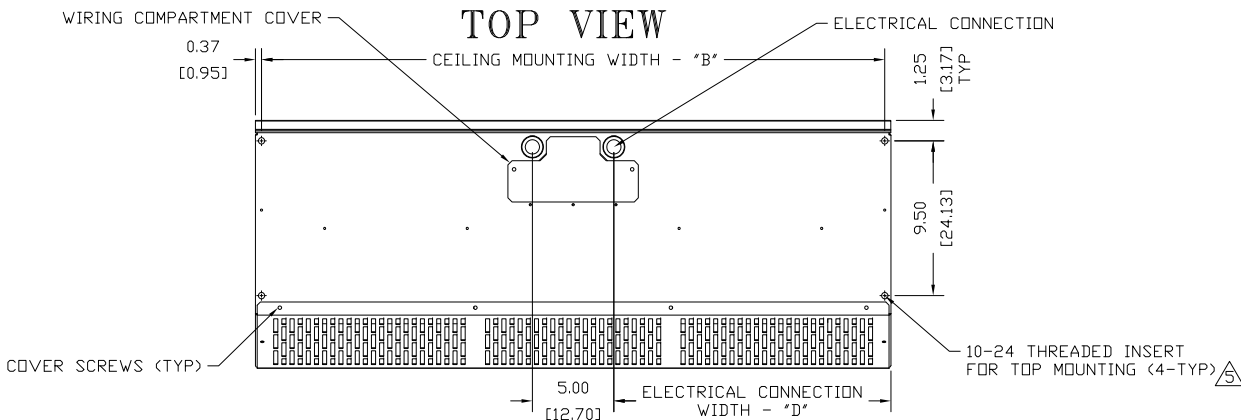
Electric Heated Air Curtain

Electrical Performance Sheet

MODEL	*kW option	Temp Rise °F	480/3/60 (voltage code Z) MOTOR AMP DRAW = 1.4 each			600/3/60 (voltage code Q) MOTOR AMP DRAW = 1.0 each			380/3/50 (voltage code O) MOTOR AMP DRAW = 3.5 each		
			# CKTS	AMPS PER CIRCUIT (including motor)	BREAKER RATING PER CIRCUIT	# CKTS	AMPS PER CIRCUIT (including motor)	BREAKER RATING PER CIRCUIT	# CKTS	AMPS PER CIRCUIT (including motor)	BREAKER RATING PER CIRCUIT
CHC10-1036E CHC10-1042E CHC10-1048E CHC10-1060E	14	25	1	18.2	25	1	14.5	20	1	24.8	35
	10	18	1	13.4	20	1	10.6	15	1	18.7	25
	8	14	1	11.0	15	1	8.7	15	1	15.7	20
	6	11	1	8.6	15	1	6.8	15	1	12.6	20
CHC10-2060E	21	25	1	28.1	35	1	22.2	30	1	38.9	50
	15	18	1	20.8	30	1	16.4	25	1	29.8	40
	12	14	1	17.2	25	1	13.5	20	1	25.2	35
	9	11	1	13.6	20	1	10.7	15	1	20.7	25
CHC10-2072E CHC10-2084E CHC10-2096E CHC10-2108E CHC10-2120E	28	25	1	36.5	50	1	28.9	40	2	28.3/21.3	35/30
	20	18	1	26.9	35	1	21.2	30	1	37.4	50
	16	14	1	22.0	30	1	17.4	25	1	31.3	40
	12	11	1	17.2	25	1	13.5	20	1	25.2	35
CHC10-3096E	35	25	1	46.3	60	1	36.7	50	2	31.8/31.9	40/40
	25	18	1	34.3	45	1	27.1	35	1	48.5	60
	20	14	1	28.3	35	1	22.2	30	1	40.9	50
	15	11	1	22.2	30	1	17.4	25	1	33.3	40
CHC10-3108E CHC10-3120E	42	25	2	21.0/33.7	30/45	1	43.4	60	2	31.8/42.5	40/60
	30	18	1	40.3	50	1	31.9	40	2	25.7/30.4	35/40
	24	14	1	33.1	45	1	26.1	35	1	47.0	60
	18	11	1	25.9	35	1	20.3	25	1	37.8	50

Berner reserves the right to alter specifications without prior notice.

CHC10 ELECTRIC HEATED



NOTES:

- ① AIR CURTAIN MUST BE INSTALLED SO AIR STREAM IS NOT OBSTRUCTED WHEN DEFLECTED 20° TO EITHER SIDE OF C.
- ② ELECTRICAL CONNECTIONS TO BE FLEXIBLE.
- ③ FIELD VERIFY DIMENSIONS.
- ④ ANCHORS TO SUPPORTING STRUCTURE BY OTHERS.
- ⑤ ADEQUACY OF SUPPORTING STRUCTURE IS TO BE VERIFIED BY A PROFESSIONAL STRUCTURAL ENGINEER.
- ⑥ LETTER "E" IN MODEL NUMBER DESIGNATES ELECTRIC HEATED UNIT.
- ⑦ DIMENSIONS IN INCHES [CENTIMETERS].

MODEL ①	NOZZLE WIDTH "A"	MOUNTING WIDTH "B"	UNIT WIDTH "C"	ELECTRIC WIDTH "D"
CHC10-1036E	36.00 [91.44]	38.25 [97.16]	39.00 [99.06]	17.00 [43.18]
CHC10-1042E	42.00 [106.68]	44.25 [112.40]	45.00 [114.30]	20.00 [50.80]
CHC10-1048E	48.00 [121.92]	50.25 [127.64]	51.00 [129.54]	23.00 [58.42]
CHC10-1060E	60.00 [152.40]	62.25 [158.12]	63.00 [160.02]	29.00 [73.66]
CHC10-2060E	60.00 [152.40]	62.25 [158.12]	63.00 [160.02]	19.00 [48.26]
CHC10-2072E	72.00 [182.88]	74.25 [188.60]	75.00 [190.50]	17.00 [43.18]
CHC10-2084E	86.88 [220.66]	89.13 [226.38]	89.88 [228.28]	20.75 [52.71]
CHC10-2096E	98.88 [251.14]	101.13 [257.18]	101.88 [258.76]	23.75 [60.33]
CHC10-3096E	98.88 [251.14]	101.13 [257.18]	101.88 [258.76]	15.50 [39.37]
CHC10-2108E	110.88 [281.62]	113.13 [287.38]	113.88 [289.24]	26.75 [67.95]
CHC10-3108E	110.88 [281.62]	113.13 [287.38]	113.88 [289.24]	17.50 [44.45]
CHC10-2120E	116.25 [295.28]	118.50 [300.99]	119.25 [302.90]	28.06 [71.28]
CHC10-3120E	116.25 [295.28]	118.50 [300.99]	119.25 [302.90]	18.38 [46.67]

PROJECT		
LOCATION		
ARCHITECT		
ENGINEER		REV. -
DWG. NO.	CHC10-ELE	TITLE: BERNER
DATE	10NOV14	MODEL CHC10 AIR CURTAIN
BY	SBEL	ELECTRIC HEATED SYSTEM
REPLACES	-	
BY	-	BERNER INTERNATIONAL CORP. NEW CASTLE, PA.