

# DESIGNER LINE DISPLAY REFRIGERATOR

## Model: D3RNGDHD

Natural Refrigerant R-290 Model

*Designer Line*

### 3-Section Display Reach-In Refrigerator with Half Hinged Glass Doors

- D3RNGDHD** - Stainless steel front, aluminum end panels and interior
- D3RNSAGDHD** - Stainless steel exterior, aluminum interior
- D3RNSSGDHD** - Stainless steel exterior and interior



#### Options and Accessories

(upcharge and lead times may apply)

Stainless steel case back	Wine rack
Add'l epoxy-coated steel shelves	Casters
Chrome or stainless steel shelves	Pass-thru (consult factory)
Rehinging of doors (consult factory)	Special electrical req. (consult factory)
Pan slide assemblies	

Consult factory for other model configurations, options and accessories.

Project Name:

Model Specified:

Location:

Item No:

Quantity:

AIA #:

SIS #:

#### Standard Model Features

##### REFRIGERATION SYSTEM

- Self contained, performance-rated refrigeration system
- Natural, environmentally-safe, high-efficiency R-290 refrigerant<sup>1</sup>
- Automatic, hot gas condensate evaporator
- Expansion valve system

##### CABINET ARCHITECTURE

- 3" non-CFC polyurethane foam insulation
- Triple-pane, tempered hinged glass doors
- Chrome-plated handles
- Cam action, lift-off hinges
- Self-closing doors
- Magnetic snap-in door gaskets
- Cylinder lock in each door
- Heavy-duty, epoxy-coated steel shelves
- Adjustable 6" stainless steel legs

##### MODEL FEATURES

- LED interior lighting
- Electronic controller w/digital display & hi-low alarm

<sup>1</sup> R-290 refrigerant meets all federal and state regulatory requirements.

**Continental**<sup>®</sup>  
Refrigerator

Toll-Free: 800-523-7138  
Phone: 215-244-1400  
Fax: 215-244-9579

539 Dunksferry Road  
Bensalem, PA 19020  
[www.continentalrefrigerator.com](http://www.continentalrefrigerator.com)

APPROVAL:

## Model Specifications

### DIMENSIONAL DATA

Net Capacity (cu. ft.)	72 (2039 cu l)
Width, Overall (in.)	78 (1981 mm)
Depth, Overall (in.) (incl. handles)	35 3/8 (899 mm)
Depth (in.) (less doors)	32 (813 mm)
Depth (in.) (doors open 90°)	55 1/2 (1410 mm)
Clear Door Width (in.)	19 3/8 (492 mm)
Clear Half Door Height (in.)	27 1/2 (699 mm)
Height, Overall (in.) (incl. 6" legs)	83 1/4 (2115 mm)
No. of Doors	6
No. of Shelves	12
Shelf Area (sq. ft.)	61.2 (5.7 sq m)
Tray Slide Capacity (per half section)	11

### REFRIGERANT DATA

Condensing Unit Size (H.P.)	1/2
Capacity (BTU/Hr)*	4010

### ELECTRICAL DATA

Voltage (int'l)	115/60/1 (220/50/1)
Feed Wires (incl. ground)	3
Total Amps (int'l)	9.5 (6.2)
10 ft. Cord/Plug [attached] (int'l)	Yes (No)

### SHIPPING DATA

Height - Crated (in.)	85 1/2 (2172 mm)
Width - Crated (in.)	90 (2286 mm)
Depth - Crated (in.)	42 (1067 mm)
Volume - Crated (cu. ft.)	187 (5295 cu l)
Weight Std - Crated (lbs.)	755 (342 kg)
Weight SS - Crated (lbs.)	870 (394 kg)

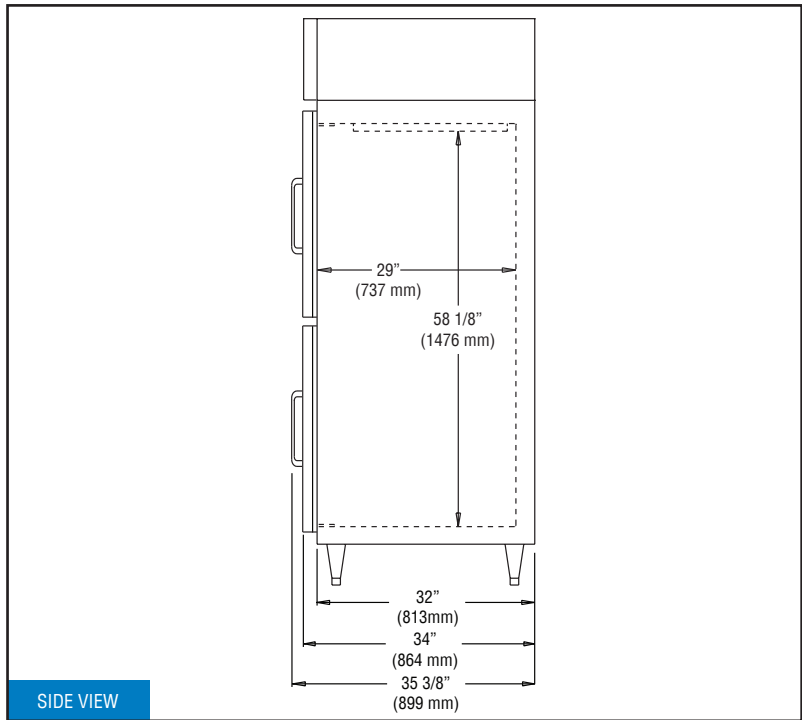
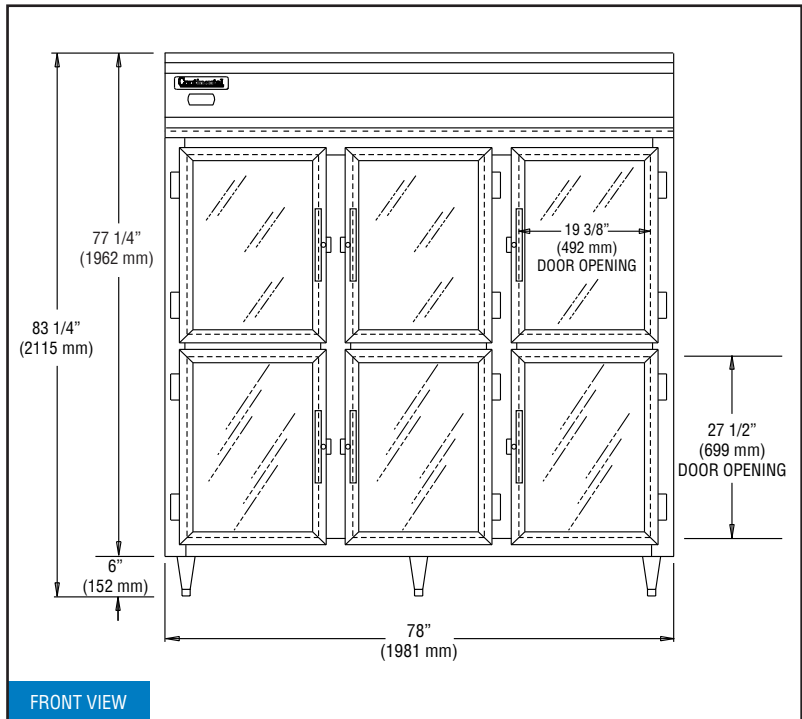
\* Rating @ +25°F evaporator, 90°F ambient

Figures in parentheses reflect metric equivalents rounded to the nearest whole unit.



Equipped with one NEMA-5-15P Plug  
(varies by country)

## Model Plan Views



**IMPORTANT NOTE:** If the cabinet is located directly against a wall and/or under a low ceiling, a minimum clearance of 12" is required on top and 3" on sides and rear.

**Continental**  
Refrigerator

Toll-Free: 800-523-7138  
Phone: 215-244-1400  
Fax: 215-244-9579

539 Dunkserry Road  
Bensalem, PA 19020  
[www.continentalrefrigerator.com](http://www.continentalrefrigerator.com)

Due to our continued efforts in developing innovative products, specifications subject to change without notice.



MADE IN THE U.S.A.

© Copyright 2020. Continental Refrigerator.  
A Division of National Refrigeration & Air Conditioning Products, Inc.