



ELITE - Refrigerated Bakery Display Case



ELITE-4-PF-B

ELITE-4-PF-G

Features

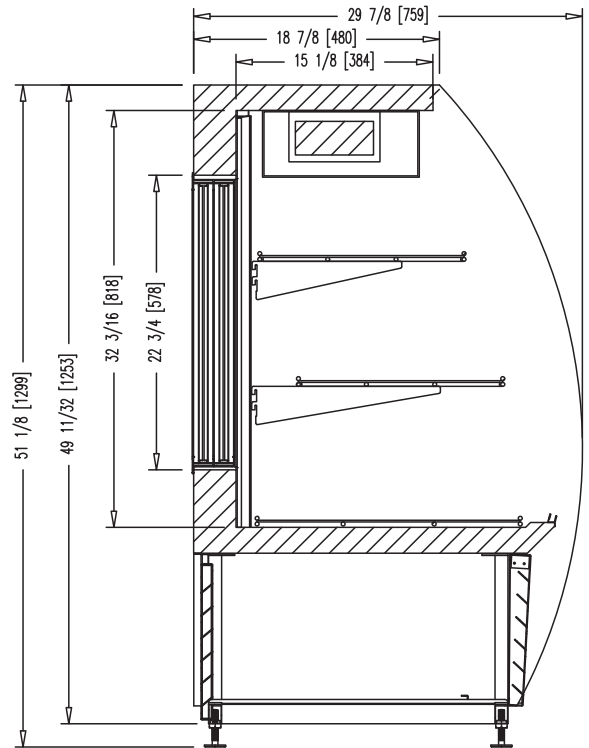
- Thermoformed side walls with a modern design and side windows to enhance product exhibition
- 2 rear sliding glass doors
- 3 levels of display
- LED illumination
- Reinforced steel base
- Heavy duty condensing unit for R-134a
- Electronically controlled, Forced air cooling,

Model No.	Description	Voltage	Amps	Temp	HP	Est. Ship Weight
ELITE-4-PF-B ELITE-4-PF-G	2 Doors/3 Levels of display	115	4.5	35°F - 46°F	1/4	475#
ELITE-6-PF-B ELITE-6-PF-G	2 Doors/3 Levels of display	115	5.2	35°F - 46°F	1/3	550#



Technical Data / ELITE - Refrigerated Bakery Display Case

MODEL #	ELITE-4-PF	ELITE-6-PF
OUTSIDE DIMENSIONS		
Depth	29.88"	29.88"
Length	48.43"	72.00"
Height	51.12"	51.12"
Door Size	23.00" x 21.00"	34.00" x 21.00"
Door Type	2 sliding	2 sliding
INSIDE DIMENSIONS		
Depth	23.00"	23.00"
Length	45.00"	69.00"
Height	32.00"	32.00"
Shelf Size	(4) 21.25" x 16.00"	(4) 33.00" x 16.00"
Main Deck Size	(2) 22.50" x 20.50"	(2) 34.25" x 20.50"
# of Shelves	6	6
Capacity: Cubic Foot	19	24
SPECIFICATION		
Operating Temperature	35°F to 46°F	35°F to 46°F
Refrigerant	134a	134a
Compressor Size HP	1/4	1/3
Voltage	115	115
Amperage	4.5	5.2
Cord and Plug	yes	yes
SHIPPING DIMENSIONS		
Depth	36.00"	36.00"
Length	54.00"	78.00"
Height	58.00"	58.00"
Gross Weight lbs.	404	476



- Cases are designed to operate at 75°F and 55% relative humidity.
- Specification subject to change without notice.
- SUFFIX: B = Black G = Gray

