

ITEM NO. \_\_\_\_\_  
 PROJECT \_\_\_\_\_  
 LOCATION \_\_\_\_\_  
 DATE \_\_\_\_\_ QTY. \_\_\_\_\_



## OMC-A SERIES Open Front Milk Coolers

### MODELS

- OMC-082-A
- OMC-122-A
- OMC-162-A



## FEATURES

### CONSTRUCTION

- White enamel painted smooth steel exterior
- Galvanized steel interior including door interior
- Corner bumpers
- No exposed raw edges since all exterior joints and seams fold in without lap joints
- Four 4" easy-roll swivel casters (two locking)
- Epoxy-coated heavy-duty floor racks
- 2" thick foamed-in-place polyurethane insulation
- NSF-listed floor drain
- NSF-listed thermometer

### DOOR

- Self-service doors with stainless steel exterior
- Fold-back door is locking and insulated
- Door equipped with gaskets and chrome plated hinges
- Designed to be easily opened by children for self-service

### REFRIGERATION

- Self-contained bottom mounted system with air-cooled condensing unit
- Powerful, large-capacity system allows cooler to quickly pull product down to storage temperature and maintain it

- Cold wall evaporator with no moving parts which allows more storage space
- Refrigerant: R290
- Operating temperature: 38°F (3°C)

### WARRANTY

- **Standard limited three year parts and labor**
- **Additional two year coverage on compressor part**

### OPTIONS

- Add "SS" for stainless steel interior and exterior
- Laminate for top, front, sides and back

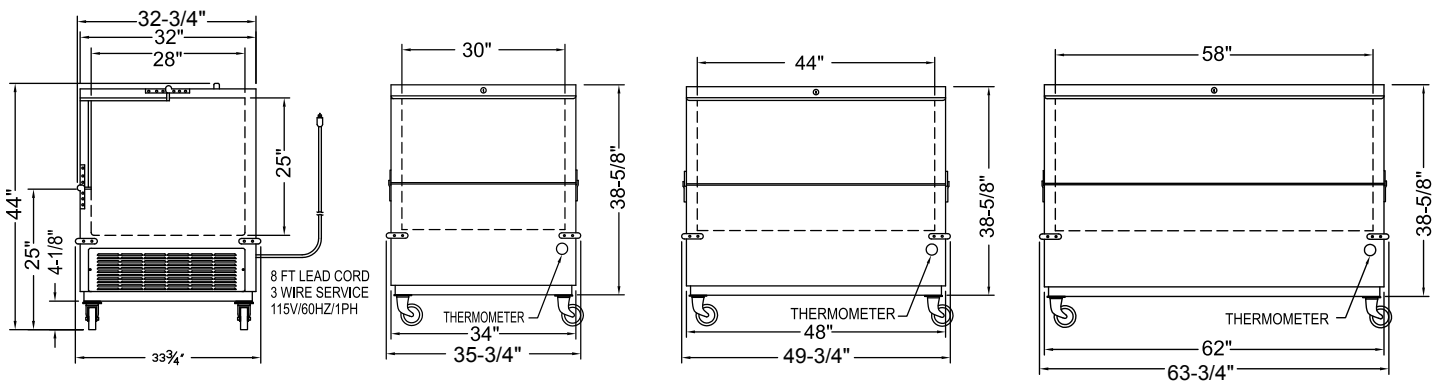
## CAPACITY

MODEL	CASES WITH CARTONS				LOOSE CARTON (WITHOUT CASES)			
	13" x 13" x 11"H		19" x 13" x 11"H		FLAT TOP		PEAKED TOP (GABLE)	
	CASES	CARTONS	CASES	CARTONS	1/2 PINT	1 PINT	1/2 PINT	1 PINT
OMC-082-A	8	352	4	288	864	432	680	430
OMC-122-A	12	528	8	576	1368	684	1020	645
OMC-162-A	16	704	12	864	1800	900	1360	860

## TECHNICAL SPECIFICATIONS

MODEL	DIMENSIONS (in.)			DIMENSIONS (mm)			VOLTS	AMPS	UNIT H.P.	NO. OF FLOOR RACKS	CAP. CU. FT.	SHIP WT. LB/KG
	L*	D	H*	L*	D	H*						
OMC-082-A	35 <sup>3</sup> / <sub>4</sub>	33 <sup>3</sup> / <sub>4</sub>	44	908	857	1118	115	1.5	1/5	2	12.2	326/148
OMC-122-A	49 <sup>3</sup> / <sub>4</sub>	33 <sup>3</sup> / <sub>4</sub>	44	1264	857	1118	115	1.5	1/5	3	17.8	352/160
OMC-162-A	63 <sup>3</sup> / <sub>4</sub>	33 <sup>3</sup> / <sub>4</sub>	44	1619	857	1118	115	1.5	1/5	4	23.5	484/220

\*Length includes door hinges. Height includes casters.



SIDE VIEW – ALL

OMC-082-A  
ELEVATION VIEW

OMC-122-A  
ELEVATION VIEW

OMC-162-A  
ELEVATION VIEW

## LISTINGS



## HOOKUP

Via plug in, 8 foot long flexible three wire 16 gauge cord with molded plug.



## BID SPECIFICATIONS

Item no. OMC- \_\_\_\_\_ -A  
Provide \_\_\_\_\_ ( ) Open Front Milk Cooler(s), Master-Bilt® model no. OMC- \_\_\_\_\_ -A.

Milk cooler to be constructed of white painted steel on the exterior with galvanized steel interior. Door to be stainless steel on the exterior with galvanized steel interior. Door will also be a fold-back type and will be locking and insulated. In

addition, door will be equipped with gaskets and chrome plated hinges.

Cooler to be provided with four swivel casters (two locking), floor drain and thermometer. Additionally, cooler will feature corner bumpers, heavy-duty epoxy-coated floor racks. Insulation will consist of 2" thick foamed-in-place polyurethane.

The refrigeration system will be self-contained, bottom mounted with a cold

wall evaporator. System will contain R290 refrigerant. The operating temperature will be 38°F (3°C).

Cooler to have standard limited three year parts and labor warranty with an additional two year coverage on compressor part.

Cooler to be UL and C-UL listed and UL EPH classified.

**NOTE:** Cabinet designed for optimum performance in air-conditioned area at 75°F ambient and 55% relative humidity. All specifications subject to change without notice.