



STAINLESS STEEL

HAND SINKS

UNDERMOUNT PAPER TOWEL DISPENSER with DECK MOUNTED SOAP DISPENSER



Conforms To NSF 61/9 Lead Free Requirements

Keyhole Bracket for easier installation and greater stability.



Item #:	_____	Qty #:	_____
Model #:	_____		
Project #:	_____		



7-PS-65

FEATURES:

One piece **Deep Drawn** sink bowl design.

7-PS-65 sink bowl is 10" x 14" x 5".

7-PS-88 sink bowl size is 9" x 9" x 5".

Sink bowls have a large liberal radii with a minimum dimension of 2" for increased capacity.

Keyhole wall mount bracket.

Stainless steel basket drain 1-1/2" IPS.

Undermount towel dispenser with hinged towel box. Unit accomodates standard C-fold towels.

Deck Mounted Liquid Soap Dispenser.

Deck mounted 4" O.C. faucet chrome plated & furnished with aerator.

CONSTRUCTION:

All TIG welded.

Welded areas blended to match adjacent surfaces and to a satin finish.

Die formed Countertop Edge with a No-Drip offset.

One sheet of stainless steel - No Seams.

MATERIAL:

Heavy gauge type 304 series stainless steel.

Wall mounting bracket is Galvanized and of offset design.

All fittings are brass / chrome plated unless otherwise indicated.

MECHANICAL:

Faucet supply is 1/2" IPS male thread hot and cold.

SPACE SAVER



7-PS-88

⚠ WARNING:

Equipment that includes a faucet may expose you to chemicals, including lead, that are known to the State of California to cause cancer or birth defects or other reproductive harm. For more Info., visit www.p65warnings.ca.gov.



Customer Service Available To Assist You **1-800-645-3166** 8:30 am - 8:00 pm E.S.T.

For Orders & Customer Service:

Email: customer@advancetabco.com or Fax: 631-242-6900

For Smart Fabrication™ Quotes:

Email: smartfab@advancetabco.com or Fax: 631-586-2933

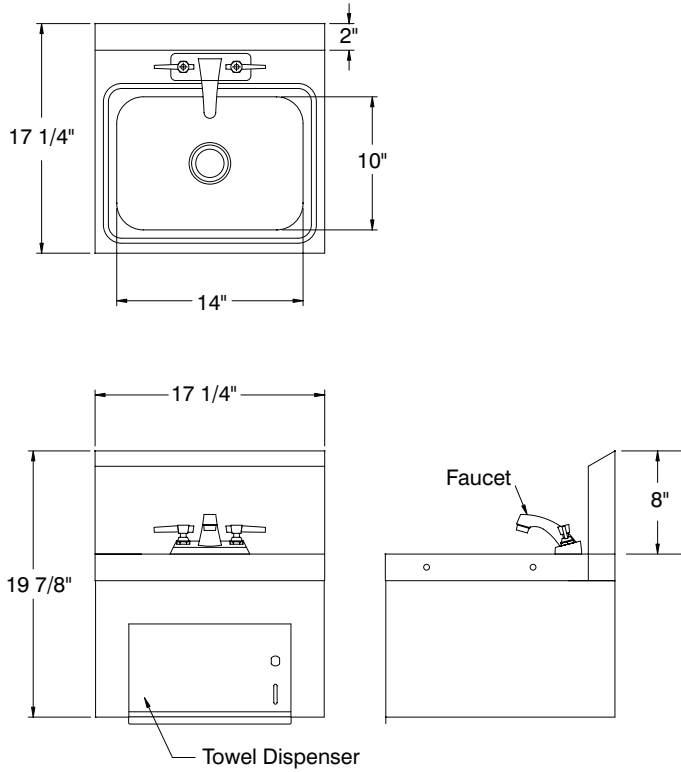
DIMENSIONS and SPECIFICATIONS

TOL Overall: ± .500" Interior: ± .250"

FITTINGS SUPPLIED AS SHOWN

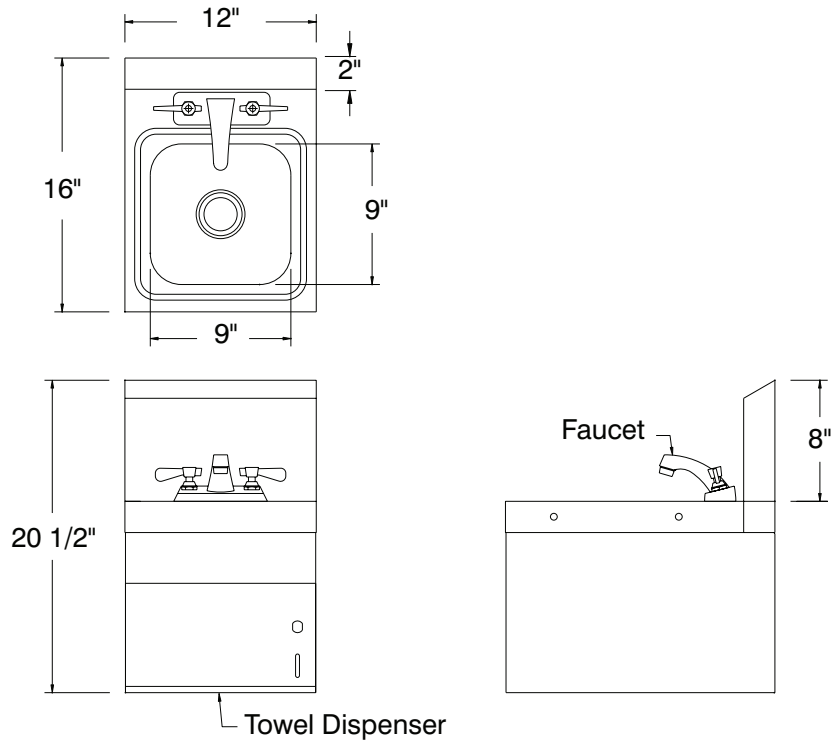
ALL DIMENSIONS ARE TYPICAL

7-PS-65



35 lbs.

7-PS-88



23 lbs.

