



STAINLESS STEEL
HAND SINKS
A.D.A COMPLIANT LAVATORIES
 Conforms To NSF 61/9 Lead Free Requirements



Item #: _____	Qty #: _____
Model #: _____	
Project #: _____	



7-PS-25



7-PS-75



7-PS-26



Optional A.D.A. Compliant Bubbler can be added to the 7-PS-25, 7-PS-26 & 7-PS-75 Only
 Use Model # K-47

FEATURES:

One piece **Deep Drawn** sink bowl design.
 Sink bowl is 16" x 14" x 5".
 All sink bowls have a large liberal radii with a minimum dimension of 2" and are rectangular in design for increased capacity.
 Keyhole wall mount bracket.
 1 1/2" stainless steel drain with strainer plate.

Additional Specific Features:

- 7-PS-25** 6" Extended deck mounted gooseneck faucet with wrist handles & deck mounted liquid soap dispenser.
- 7-PS-26** includes a "Hands Free" AC/DC operated gooseneck faucet & deck mounted, liquid soap dispenser.
- 7-PS-75** Sink Only. Faucet not included. Three 1-3/8" dia. Holes Punched.

CONSTRUCTION:

All TIG welded.
 Welded areas blended to match adjacent surfaces and to a satin finish.
 Die formed Countertop Edge with a 3/8" No-Drip offset.
 Bowl made from One sheet of stainless steel - No Seams.

MATERIAL:

Heavy gauge type 304 series stainless steel.
 Wall mounting bracket is Galvanized and of offset design.
 All fittings are brass / chrome plated unless otherwise indicated.

MECHANICAL:

Faucet supply is 1/2" IPS male thread hot and cold.

Optional 8" O.C. Faucets Available



**Heavy Duty
 5-1/2"
 Gooseneck**

K-132



**Heavy Duty
 9" Swing
 Spout**

K-133

⚠ WARNING:

Equipment that includes a faucet may expose you to chemicals, including lead, that are known to the State of California to cause cancer or birth defects or other reproductive harm. For more Info., visit www.p65warnings.ca.gov.



Customer Service Available To Assist You 1-800-645-3166 8:30 am - 8:00 pm E.S.T.

For Orders & Customer Service:

Email: customer@advancetabco.com or Fax: 631-242-6900

For Smart Fabrication™ Quotes:

Email: smartfab@advancetabco.com or Fax: 631-586-2933

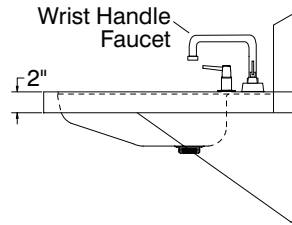
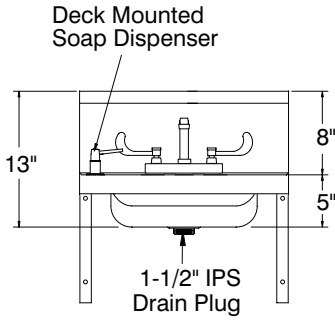
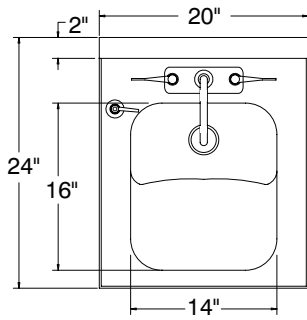
DIMENSIONS and SPECIFICATIONS

TOL Overall: ± .500" Interior: ± .250"

FITTINGS SUPPLIED AS SHOWN

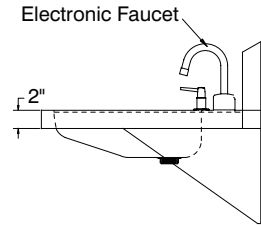
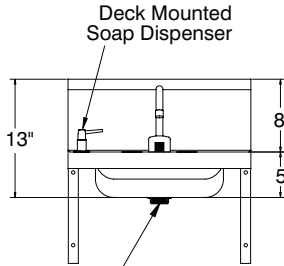
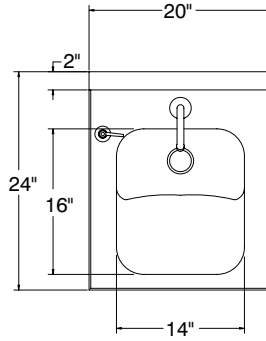
ALL DIMENSIONS ARE TYPICAL

7-PS-25



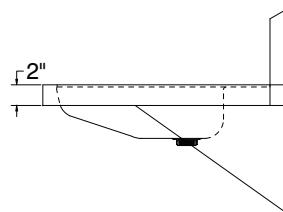
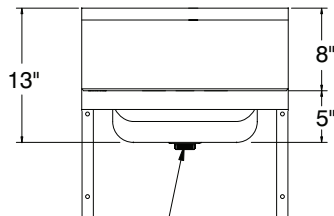
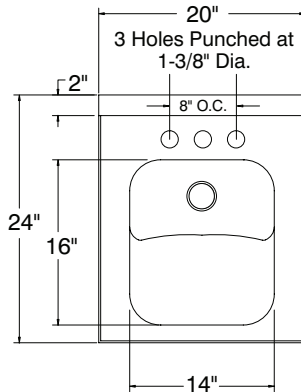
25 lbs.

7-PS-26



25 lbs.

7-PS-75



1-1/2" IPS
Drain Plug

25 lbs.

