

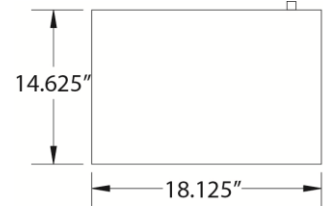


GOLD MEDAL® PRODUCTS CO.

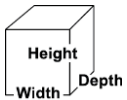
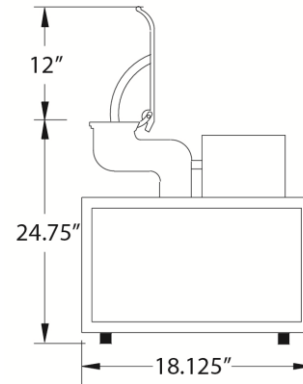
Shav-A-Doo

Model No. 1203

Specifications



Cabinet Base - Top View



Overall Dimensions:

Width: 25.25" (includes hopper)

Depth: 15.75"

Height: 26.25" (with hopper closed)

Electrical - Domestic

120V

972 WATTS 60 Hz

(NEMA 5-15P) Plug

Plug Type:

Agency Approvals:



NEMA 5-15P



Gold Medal Products Co.

10700 Medallion Drive, Cincinnati, OH 45241

Ph: (513) 769-7676, (800) 543-0862; Fax: (513) 769-8500

gmpopcorn.com info@gmpopcorn.com