

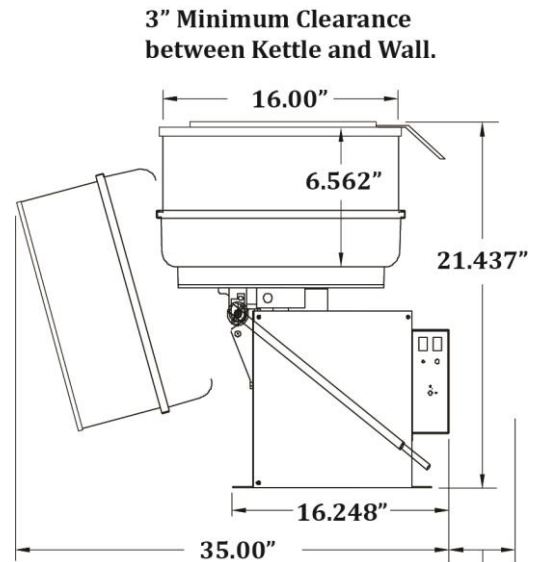


**GOLD MEDAL® PRODUCTS CO.**

# Pralinator

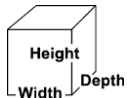
Model No. 2181ER

## Specifications



6" Recommended Min. Clearance between wall and Cntl Box for Service.

General RH Unit shown above for dim. reference.



### Overall Dimensions:

- Width:** 35"
- Depth:** 17.25"
- Height:** 21.437"

Reference drawing shown for additional dimensions and clearances required.

### Electrical - Domestic

- 120/208 OR 120/240V
- 3408 WATTS 60 Hz
- (NEMA L14-20P) Plug

Unit designed to operate on single phase, 20 AMP, 4 wire supply (2 Hot, 1 Neutral, 1 Ground). Wall receptacle is supplied with unit.

### Features:

- Yields 4 to 4.5 lbs. finished product per batch
- Right Hand Dump
- Electronic Temperature Control
- Cast Aluminum Kettle with Stainless Steel Drum

**Plug Type:**

**Agency Approvals:**



**Gold Medal Products Co.**  
10700 Medallion Drive, Cincinnati, OH 45241

Ph: (513) 769-7676, (800) 543-0862; Fax: (513) 769-8500  
gmpopcorn.com info@gmpopcorn.com