

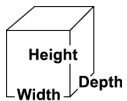
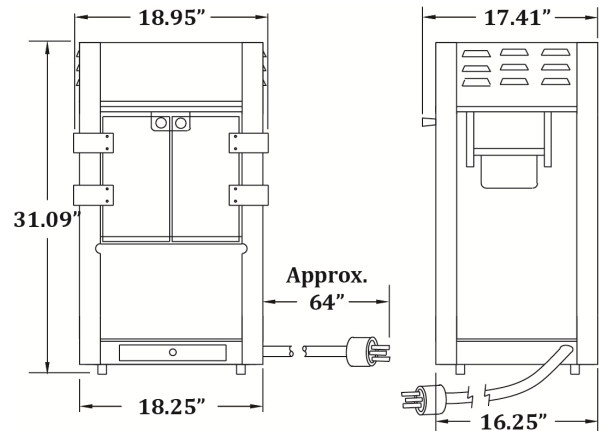


**GOLD MEDAL® PRODUCTS CO.**

# Econo 8 Popcorn Machine

Model No. 2388

## Specifications



### Overall Dimensions:

**Width:** 18.95" (48.14 cm)  
**Depth:** 17.41" (44.22 cm)  
**Height:** 31.09" (78.97 cm)

### Features:

- 8 oz. Stainless Steel Kettle

### Electrical - Domestic

120V  
1525 WATTS 60 Hz  
(NEMA 5-15P) Plug

### Plug Type:



NEMA 5-15P

### Agency Approvals:



LISTED



**Gold Medal Products Co.**  
10700 Medallion Drive, Cincinnati, OH 45241

Ph: (513) 769-7676, (800) 543-0862; Fax: (513) 769-8500  
gmpopcorn.com info@gmpopcorn.com