

PRODUCT:

QUANTITY:

ITEM:

Designed Smart

Racer® Line of Slanted Display Shelves!

- Great looking display merchandiser that keeps a variety of packaged foods hot...and providing fast and easy accessibility for the consumer.
- Racer™ Merchandisers keep wrapped product at NSF safe temperatures through a system of infrared overhead heat and a thermostatically controlled heated base. The heated holding area is designed to have enough reserve power to overcome variations in temperature and air movement.
- All models have a constant level of infrared top heat directing a "curtain of heat" to the front edges of the holding surface where heat loss is the greatest.

Equipment Packages to fit your operations.

- Slanted Racer® Merchandisers are available in one or two shelf versions. Lengths are available from 24" of displayable area (DMX-30S styles) to 54" displayable area (DMX-60S styles).
- Powder coated front and side accents compliment your operation's décor. The Racer line comes standard with a Black front with red channel insets along with a red side panel. Available in a variety of other colors that are perfect for front of the house use.
- Inset panels for the front match side color panel and can be used for product identification signs or price markers.

APW Wyott Design Features

- Heavy duty stainless steel construction for base, sides and top. Unit will not sway from side to side or sag in the middle.
- Hard coated aluminum heat shelf.
- 1 1/2" insulation throughout shelf base.
- Polished mirror stainless steel reflectors on top heat.
- Thermostatically controlled heat for base and rear overhead heat source.
- Decorative powder coated sides, fronts, back and insets.
- Steel legs anchored to a solid stainless steel base.
- Tempered glass sides for maximum visibility.
- Light

*Warranty does not include rock grates, cooking grates, burners shields or fireboxes.



Model: Racer® Double Slanted Merchandiser

Options

Powder Coated Front and Back Shelf Extrusions

- Black is standard * Red
- White * Green
- Blue

Powder Coated Side Support

- Red is standard * Yellow
- White * Black

Powder Coated Inset Panel

- Red is standard * Yellow
- White * Black

Reliability backed by APW Wyott's Warranty

All APW Wyott Racer® Open Air Merchandisers are backed by a 1-year limited warranty and a 1-year on-site labor warrant.

•Certified by the following agencies:



See reverse side for product specifications.



RACER® Slanted Open Air Merchandisers

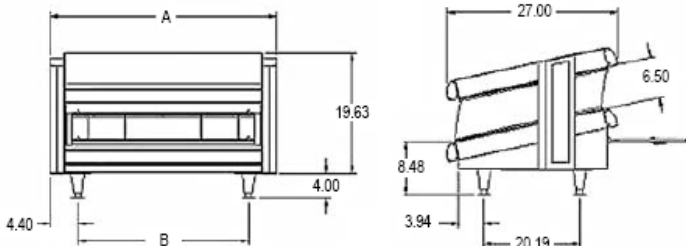
Models □ DMXS □ DMXD □ -30S □ -36S □ -42S □ -48S □ -54S □ -60S

PRODUCT:

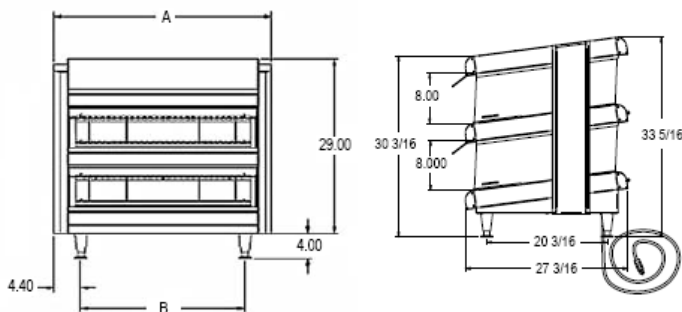
QUANTITY:

ITEM:

SINGLE SHELF



DOUBLE SHELF



PRODUCT SPECIFICATION

Construction:

RACER® Slanted Open Air Heated Merchandisers external top, back, sides and base are made of 20 gauge stainless steel. Heated shelves are made of hard coated aluminum. Designer front and back channels are made of powder coated aluminum extrusions. Overhead heat is back with mirror polished stainless steel 1/2" insulation surrounds each shelf base. Tempered glass end panels. Steel legs and stainless steel divider rods.

Electrical Information:

RACER Slanted Open Air Heated Merchandisers are equipped with a least a 72" power cord. All single shelf versions and double shelf versions up to 42" terminate with a 5-15 plug. Double shelf versions 48" and above terminate with a 14-20P plug. For these units, the lights are powered by a 120V circuit. Plugs exit out of the bottom of the equipment on the right hand side.

Display Area:

Height: 6 1/2" between each shelf
 Depth of each shelf: 22"
 Length: All display areas are 6' less than the overall width of the designated unit.
 (DMXD-42S has a 36" display area)

Freight Class: 100
 FOB: Allen, TX 75013

| Model | 30 | 36 | 42 | 48 | 54 | 60 | |
|-------|-----|-----|-----|-----|-----|-----|---------------|
| A | 30" | 36" | 42" | 48" | 54" | 60" | Outside width |
| B | 21" | 27" | 33" | 39" | 45" | 51" | Leg width |

| SHIPPING INFORMATION | | | | | | | | | |
|----------------------|-----------------|-------|------------|-------|-------|------|--------|------|--------------|
| Model | SHIPPING WEIGHT | | DIMENSIONS | | | | | | Divider Rods |
| | Lbs | Kilos | Width | | Depth | | Height | | |
| | | | In | mm | In | mm | In | mm | |
| DMXS-30S | 150 | 68.2 | 30 | 76.2 | 27 | 68.5 | 23 5/8 | 60 | 5 |
| DMXS-36S | 161 | 73.2 | 36 | 91.4 | 27 | 68.5 | 23 5/8 | 60 | 6 |
| DMXS-42S | 179 | 81.4 | 42 | 106.6 | 27 | 68.5 | 23 5/8 | 60 | 7 |
| DMXS-48S | 198 | 90 | 48 | 121.9 | 27 | 68.5 | 23 5/8 | 60 | 8 |
| DMXS-54S | 208 | 94.5 | 54 | 137.1 | 27 | 68.5 | 23 5/8 | 60 | 9 |
| DMXS-60S | 226 | 102.7 | 60 | 152.4 | 27 | 68.5 | 23 5/8 | 60 | 10 |
| DMXD-30S | 195 | 88.6 | 30 | 76.2 | 27 | 68.5 | 33 | 76.2 | 10 |
| DMXD-36S | 215 | 97.7 | 36 | 91.4 | 27 | 68.5 | 33 | 76.2 | 12 |
| DMXD-42S | 235 | 106.8 | 42 | 106.6 | 27 | 68.5 | 33 | 76.2 | 14 |
| DMXD-48S | 260 | 118.2 | 48 | 121.9 | 27 | 68.5 | 33 | 76.2 | 16 |
| DMXD-54S | 270 | 122.7 | 54 | 137.1 | 27 | 68.5 | 33 | 76.2 | 18 |
| DMXD-60S | 280 | 127.3 | 60 | 152.4 | 27 | 68.5 | 33 | 76.2 | 20 |

| POWER SUPPLY | | | | |
|--------------|-------|---------|-------|------|
| Model | Watts | Voltage | Phase | Amps |
| DMXS-30S | 675 | 120 | 1 | 5.6 |
| DMXS-36S | 825 | 120 | 1 | 6.9 |
| DMXS-42S | 975 | 120 | 1 | 8.1 |
| DMXS-48S | 1180 | 120 | 1 | 9.8 |
| DMXS-54S | 1320 | 120 | 1 | 11.0 |
| DMXS-60S | 1480 | 120 | 1 | 12.3 |
| DMXD-30S | 1300 | 120 | 1 | 10.8 |
| DMXD-36S | 1600 | 120 | 1 | 13.3 |
| DMXD-42S | 1885 | 120 | 1 | 15.7 |
| DMXD-48S | 2310 | 120 | 1 | 9.8 |
| DMXD-54S | 2565 | 120 | 1 | 11.0 |
| DMXD-60S | 2885 | 120 | 1 | 12.3 |

*APW Wyott reserves the right to modify specifications or discontinue models without incurring obligation.

