

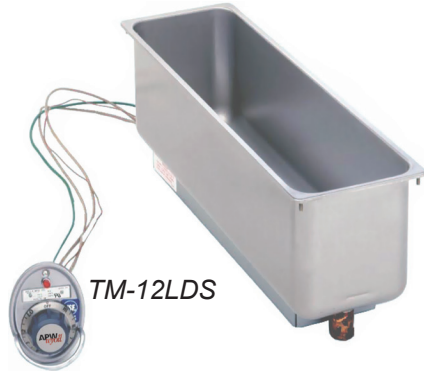


HALF- SIZE FRACTIONAL, SINGLE WELL, HEAVY DUTY, TOP MOUNT RECTANGULAR DROP-IN FOOD WARMERS

MODELS: TM-12S, HFW-12S



HFW-12S



TM-12LDS

APW Wyott TM-12 Series and HFW-12 Series Built-In Rectangular Food Warmers are designed for top mount installation and to hold heated foods at safe and fresh serving temperatures. APW Wyott TM-12 Series accommodates one 6" X 20" half-size food pan or equivalent fractional inset pans while the HFW-12 Series accommodates one 10" X 12" half-size food pan or equivalent fractional pans. Both are designed for wet or dry operation.

One-piece stainless steel top flange and heavy gauge, deep-drawn stainless steel warming pans are standard features on all models. TM-12 & HFW-12 Series models are fully insulated around all 4-sides and bottom for quicker preheat, faster recovery and energy savings. Individual controls for each well provide maximum versatility. High-limits prevent overheating. Temperature-ready indicator lights are standard on all control types. Powerful tubular heating elements are located under the warming pans for quick and efficient heating and for even heat distribution.

OPTIONS

- Optional 72" wiring
- Drain screens
- Drain value extension kit, extension from drain to counter front with remote handle, for use with "D" models only.

WARRANTY

- 1-Year Limited Parts & 1-Year Limited Labor Warranty

CERTIFICATIONS

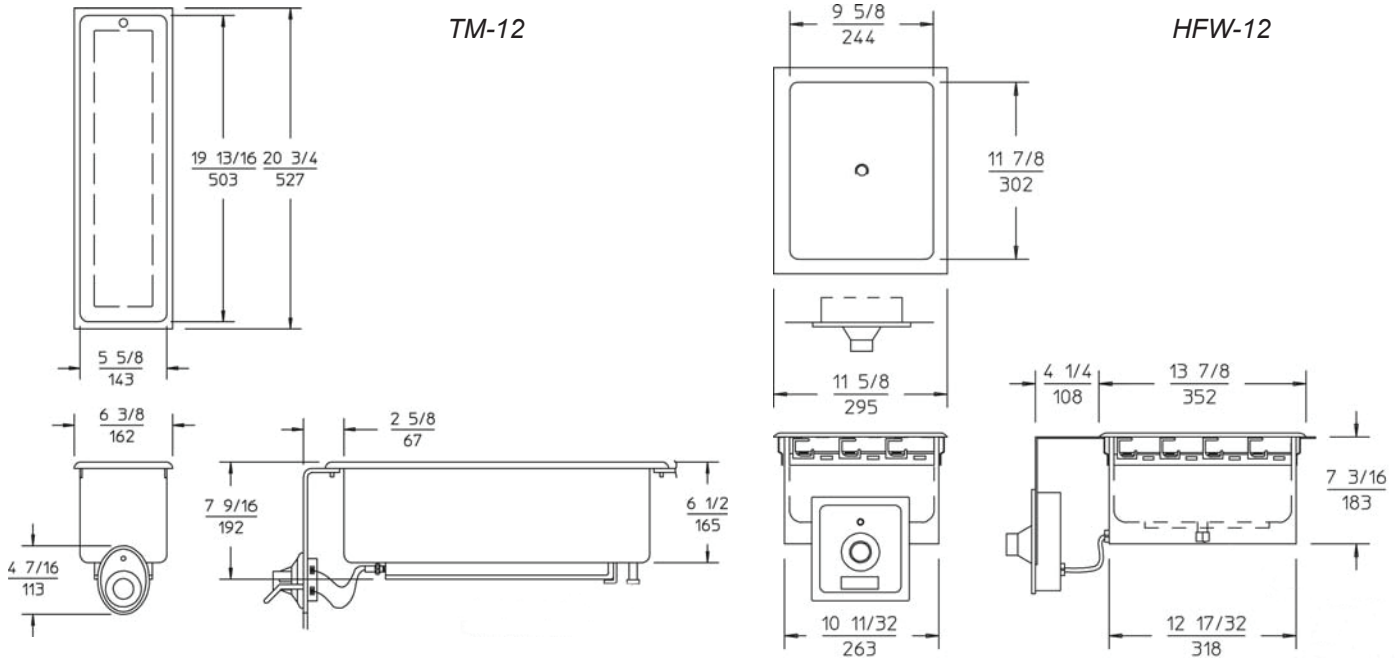
Certified by the following agencies:



FEATURES AT A GLANCE

- TM-12 series models accommodate one 6" X 20" Half-size food pan or equivalent fractional inset pans
- HFW-12 series Models accommodate one 12" X 10" Half-size food pan or equivalent fractional inset pans
- One-piece stainless steel top flange and heavy-gauge, deep-drawn stainless steel warming pans
- Suitable for wet or dry operation (wet recommended for best results)
- Thermostatic controls
- Separate controls for each individual well
- High limits prevent overheating
- Thermostatic controls are recessed in a one-piece, drawn, front-mounted panel
- Powerful tubular heating elements

EQUIPMENT DIMENSIONS



MECHANICAL SPECIFICATIONS

Model #	Drain	Watts	Voltage	Phase	Amps	Overall Dimensions	Control Panel Dimensions	Ship Weight (lbs. / Kilos)	Crate Size	Approvals
						Width x Height x Depth (inches / mm)	Width x Height (inches / mm)		Cubic Feet (Cubic Meters)	
TM-12LS	No	750	120	1	6.25	6.38" x 20.75" x 7.56" (162 x 527 x 192)	3.31 x 4.44 (84 x 113)	11 (5)	2.54 (0.072)	
TM-12DLS	Yes	750	120	1	6.25	6.38" x 20.75" x 7.56" (162 x 527 x 192)	3.31 x 4.44 (84 x 113)	11 (5)	2.54 (0.072)	
TM-12LDULS	Yes	750	120	1	6.25	6.38" x 20.75" x 7.56" (162 x 527 x 192)	3.31 x 4.44 (84 x 113)	14 (6)	2.54 (0.072)	
HFW-12S	No	825	120	1	6.9	11.63" x 13.88" x 7.19" (295 x 352 x 183)	5.88 x 6.25 (149 x 159)	18 (8)	2.16 (0.062)	
HFW-12DS	Yes	825	120	1	3.75	11.63" x 13.88" x 7.19" (295 x 352 x 183)	5.88 x 6.25 (149 x 159)	18 (8)	2.16 (0.062)	

REQUIRED CLEARANCES

Left	2" (51 mm)	Back	1" (25mm)
Right	2" (51 mm)	Bottom	9" (9 mm)
Front	2 5/8" (67mm)		

Freight Class: 100

FOB: Smithville, 37166

APW Wyott reserves the right to modify specifications or discontinue models without incurring obligation. Dimensions nominal.