

PROJECT NAME: _____

LOCATION: _____

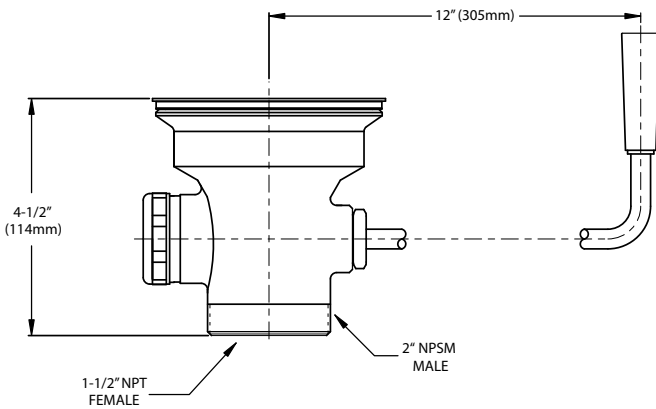
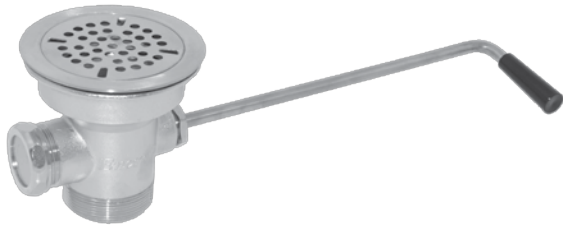
SPECIFIER ITEM NO. _____ **QTY:** _____

ENCORE PART NO. _____

Encore[®] Twist Handle Waste Outlet with Capped Overflow Outlet

D50-xxxx Series

- D50-4160 3" Sink Opening
- D50-4161 3" Sink Opening
- D50-7100 3-1/2" Sink Opening
- D50-7200 3-1/2" Sink Opening



Dimensions shown in inches (mm) are for reference only and are subject to change.

2" NPSM (male) or 1-1/2" NPT (female) waste outlet
 Flow Rate: Max 15gpm

Approximate shipping weight - 4 lbs
 Warranty - 2 years parts

Solid heavy duty cast body is specification and commercial quality

Commercial Quality Features

- Nickel plated cast brass drain body
- Self-centering stainless steel face flange
- Stainless steel twist handle
- Capped overflow outlet port

SPECIFICATIONS:

Lever handle waste outlet to be Encore D50 Series in the following configuration:

- _____ D50-4160 3" Sink Opening
- _____ D50-4161 3" Sink Opening
- _____ D50-7100 3-1/2" Sink Opening
- _____ D50-7200 3-1/2" Sink Opening

Drain to have nickel plated solid all metal construction. D50-4160 and D50-4161 drains to be for 3" sink opening. D50-7100 and D50-7200 drains to be for 3-1/2" sink opening diameter. Drain to have self-centering stainless steel face flange with snap-in flat stainless steel strainer. Drain to be designed for trouble free fast drainage when the stainless steel lever handle is in the open position and has a positive sealing action when closed. Drain to have 1-1/4" capped overflow outlet to accept 1-1/4" OD overflow elbow tube. Waste outlet to be furnished with either a 2" NPSM (male) or a 1-1/2" NPT (female) thread.