

PROJECT NAME: _____

LOCATION: _____

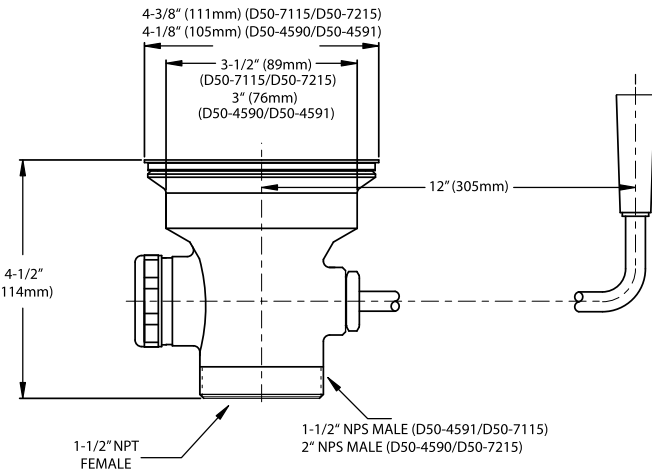
SPECIFIER ITEM NO. _____ **QTY:** _____

ENCORE PART NO. _____

Encore[®] Twist Handle Waste Outlet
 with Overflow Assembly

D50-xxxx Series

D50-4590	2" NPS, 3" Dia. Sink Opening
D50-4591	1-1/2" NPS, 3" Dia. Sink Opening
D50-7115	1-1/2" NPS, 3-1/2" Dia. Sink Opening
D50-7215	2" NPS, 3-1/2" Dia. Sink Opening



Dimensions shown in inches (mm) are for reference only and are subject to change.

Flow Rate: Max 20gpm

Approximate shipping weight - 6 lbs
 Warranty - 2 years parts

Solid heavy duty cast body is specification and commercial quality

Commercial Quality Features

- Nickel plated cast brass drain body
- Self-centering stainless steel face flange
- Stainless steel twist handle
- Overflow head with stainless steel face plate

SPECIFICATIONS:

Lever handle waste outlet to be Encore D50 Series in the following configuration:

_____	D50-4590	2" NPS, 3" Dia. Sink Opening
_____	D50-4591	1-1/2" NPS, 3" Dia. Sink Opening
_____	D50-7115	1-1/2" NPS, 3-1/2" Dia. Sink Opening
_____	D50-7215	2" NPS, 3-1/2" Dia. Sink Opening

Drain to have nickel plated solid all metal construction. Drain to have self-centering stainless steel face flange with snap-in stainless steel strainer. Drain to be designed for trouble free fast drainage when the stainless steel twist handle is in the open position and has a positive sealing action when closed. Drain to have 1-1/4" overflow assembly which includes 1-1/4" OD elbow tube and overflow head with stainless steel faceplate.

NOTE: Sink cutout hole to be 2" for overflow head assembly

