



Project _____

Item # _____

Quantity _____

Flav-R-Savor® Heated Air Curtain Cabinets

Models: FSHAC-2, -3,
FSHACH-2, -3, -2PT

The patented Hatco Flav-R-Savor® Heated Air Curtain Cabinet effectively and safely holds hot food hot without the use of doors, allowing immediate access to product. Warm air at the front of the cabinet is forced downward, through ducts above the opening, forming a “curtain” of heated air. A portion of the heated air is drawn toward the rear through special perforations on the back wall, warming each pan. The patented Hatco Heated Air Curtain Cabinet is ideal for holding wrapped products like tortillas, burritos and ribs, as well as products on sheet pans like biscuits, chicken, hamburger patties, pizza and baked potatoes. Holding temperatures range from 80°F to 175°F (27°-79°C).

Standard features

- Choose from 2-pan and 3-pan units, single opening or pass-through, with or without humidity. Humidified models can be filled manually or with the auto-fill feature
- Heated Air Curtain Cabinet effectively and safely holds hot food hot without the use of doors, allowing immediate access to product
- Standard units hold half-size sheets pans (one per shelf) and the 2-pan pass-through model accommodates two full-size sheet pans
- Sturdy construction of stainless steel and powdercoated in *Designer Black* on the outside



WATER QUALITY REQUIREMENTS

Water supply in excess of 3.0 grains of hardness per gallon (GPG) (.75 grains of hardness per liter) must be treated and softened before being used. Water containing over 3.0 GPG (.75 GPL) will decrease the efficiency and reduce the operating life of the unit.

Note: Product failure caused by liming or sediment buildup is not covered under warranty.



IFS anti-microbial coatings use naturally-occurring, environmentally sustainable, silver ions to help inhibit the growth of microbes on the powder coated surface. See www.hatcocorp.com/antimicrobial-paint for more information.



For operation, location and safety information, please refer to the Installation and Operating Manual.



HATCO CORPORATION | P.O. Box 340500 Milwaukee, WI 53234-0500 U.S.A. | (800) 558-0607 | (414) 671-6350



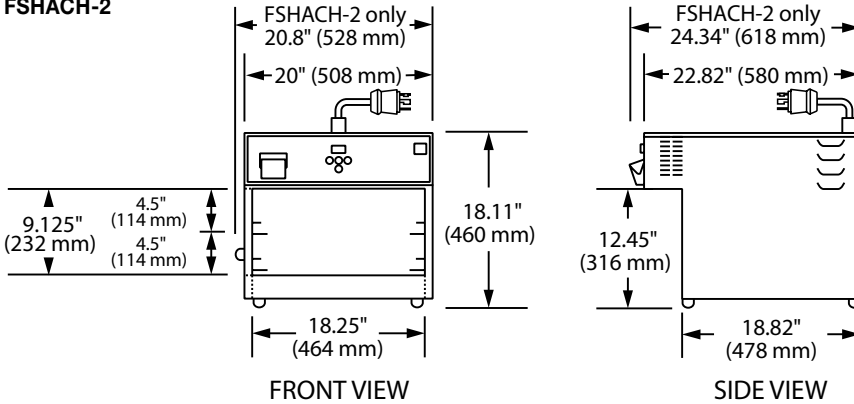
www.hatcocorp.com | support@hatcocorp.com | [Find a Hatco Rep](#) | [Image Library](#) | [Document Library](#) | [Chat](#)



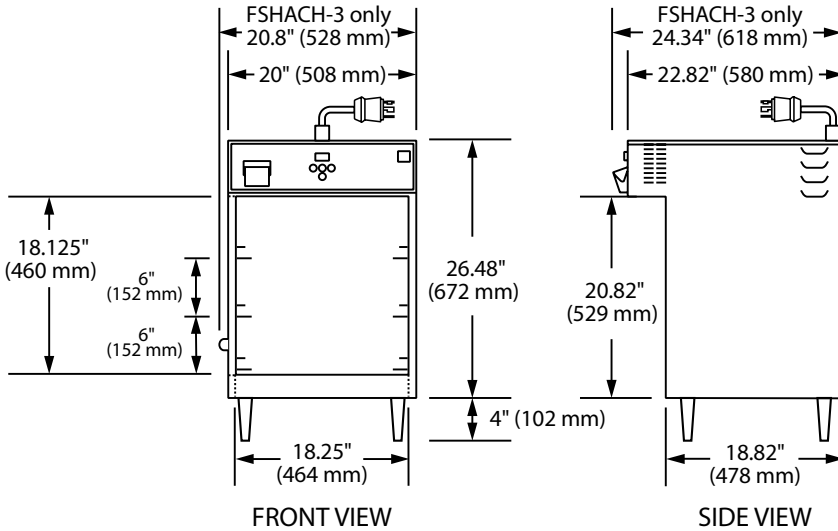
Flav-R-Savor® Heated Air Curtain Cabinets

Models: FSHAC-2, -3, FSHACH-2, -3, -2PT

FSHAC-2 AND FSHACH-2



FSHAC-3 AND FSHACH-3



SPECIFICATIONS Heated Air Curtain Cabinets - Standard

The shaded areas contain electrical information for International models

Model	Type	Dimensions (W x D x H)	Cabinet Opening (W x H)	Volts	Hz	Watts	Amps	Plug	Ship Weight*
FSHAC-2*	2-Tier	20" x 22.82" x 18.11" (508 x 580 x 460 mm)	18.25" x 9.125" (464 x 232 mm)	120	60	1850	15.4	NEMA 5-20P	100 lbs. (45 kg)
				120/208	60	1877	9	NEMA L14-20P	
				220	60	1750	8	BS-1363	
				220-230	50/60	1750-1913	8.0-8.3	CEE 7/7 Schuko	
				230-240	50/60	1607-1750	7.0-7.3	BS-1363	
FSHAC-3*	3-Tier	20" x 22.82" x 30.48"* (508 x 580 x 774 mm)	18.25" x 18.125" (464 x 460 mm)	120/208	60	1877	9	NEMA L14-20P	105 lbs. (48 kg)
				220	60	1750	8	BS-1363	
				220-230	50/60	1750-1913	8.0-8.3	CEE 7/7 Schuko	
				230-240	50/60	1607-1750	7.0-7.3	BS-1363	

* Height includes 4" (102 mm) legs.

CORD LOCATION

FSHAC-2, -3: Top of unit towards the back, middle.

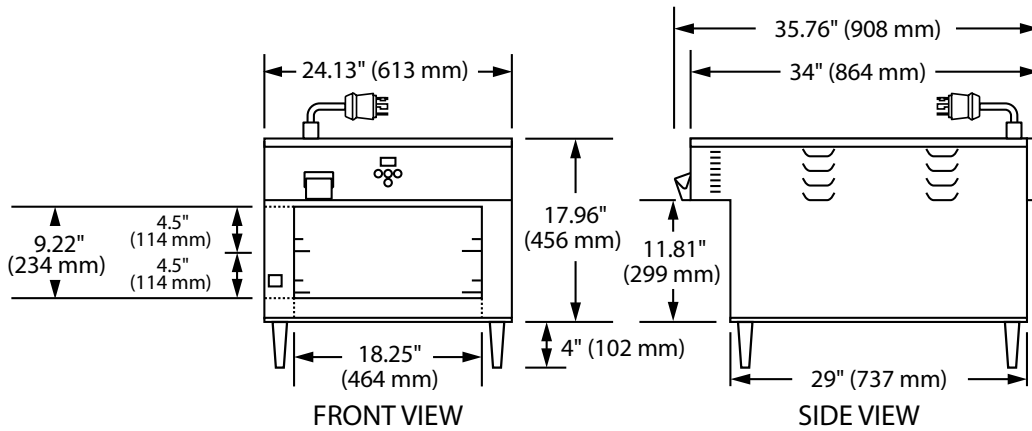




Flav-R-Savor® Heated Air Curtain Cabinets

Models: FSHAC-2, -3, FSHACH-2, -3, -2PT

FSHACH-2PT



Heated Air Curtain Cabinets - Humidified

Model*	Type	Dimensions (W x D x H)	Cabinet Opening (W x H)	Volts	Hz	Watts	Amps	Plug	Ship Weight*
FSHACH-2*	2-Tier	20.8" x 24.34" x 18.11" (528 x 618 x 460 mm)	18.25" x 9.125" (464 x 232 mm)	120/208	60	2950	14.2	NEMA L14-20P	100 lbs. (45 kg)
FSHACH-3*	3-Tier	20.8" x 24.34" x 30.52" (528 x 6180 x 775 mm)	18.25" x 18.125" (464 x 460 mm)	120/208	60	2950	14.2	NEMA L14-20P	100 lbs. (45 kg)
FSHACH-2PT*	2-Tier Pass-Through	24.13" x 35.76" x 21.96" (613 x 908 x 558 mm)	18.25" x 9.22" (464 x 234 mm)	120/208	60	4952	23.8	NEMA L14-30P	150 lbs. (68 kg)
				208	60	4952	23.8	NEMA L6-30P	

* Shipping weight includes packaging.

* Height includes 4" (102 mm) legs.

^ Standard with auto-fill, relative humidity level maximum is 27%.

WATER TANK CAPACITY

FSHACH-2, -3: 2¼ gallon (9 liters).

FSHACH-2PT: 3 gallons (11 liters).

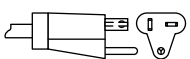
CORD LOCATION

FSHACH-2, -3: Top of unit towards the back, middle.

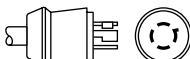
FSHACH-2PT: Top of unit towards the back, left side.

PLUG CONFIGURATIONS

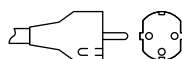
NEMA 5-20P



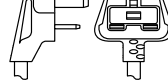
NEMA L14-20P



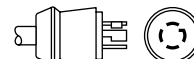
CEE 7/7 Schuko



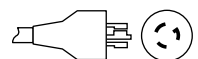
BS-1363



NEMA L14-30P



NEMA L6-30P



PRODUCT SPECS

Heated Air Curtain Cabinets

The patented Heated Air Curtain Cabinet shall be a Flav-R-Savor® Model ... as manufactured by the Hatco Corporation, Milwaukee, WI 53234 U.S.A.

The Heated Air Curtain shall be rated at ... watts, ... volts, and be ... inches (millimeters) in overall width.

It shall consist of a powdercoated steel housing, stainless steel front panel, and metal

sheathed heating elements. Heated Air Curtain features easy-to-use digital controls, an On/Off switch, and 6' (1829 mm) cord with plug.

Warranty consists of 24/7 parts and service assistance (US and Canada only).

HATCO CORPORATION | P.O. Box 340500 Milwaukee, WI 53234-0500 U.S.A. | (800) 558-0607 | (414) 671-6350



www.hatcocorp.com | support@hatcocorp.com | [Find a Hatco Rep](#) | [Image Library](#) | [Document Library](#) | [Chat](#)