



NOR-LAKE, INCORPORATED
727 Second Street
Hudson, Wisconsin 54016

800-955-5253
715-386-2323
866-961-5253 Parts
800-388-5253 Service
715-386-6149 FAX
www.norlake.com

CURVED LID DISPLAY FREEZER



CTB31-6

PROJECT:

ITEM NUMBER:

MODEL NUMBER:

SPECIFICATIONS FOR: CTB31-6, CTB43-9, CTB52-12, CTB71-17

- Finish: Painted white powder coated steel interior and exterior
- Doors: Sliding glass doors - curved glass with one piece frame, lid locks with keys
- Hardware: (4) four casters, baskets and dividers, rubber bumper guards on grill side
- Electrical: 115/60/1 with cord and plug
- Refrigeration: Self-contained refrigeration system. Operating temperature: -18°F to +10°F. R290 Refrigerant.
- Approvals: ETL Safety (US and Canada), ETL Sanitation

STANDARD FEATURES

- Baskets and dividers
- Bottom drain with plug
- External analog thermometer display
- Interior LED lighting with separate on/off switch
- Lid lock and keys
- Operating temperature: -18°F to +10°F
- Power indicator light
- Rubber bumper guards on grill side
- Sliding glass doors
- White interior and exterior
- Warranties: 1 year parts and labor, 5 year compressor
- Approvals: ETL Safety (US and Canada), ETL Sanitation

OPTIONAL FEATURES *

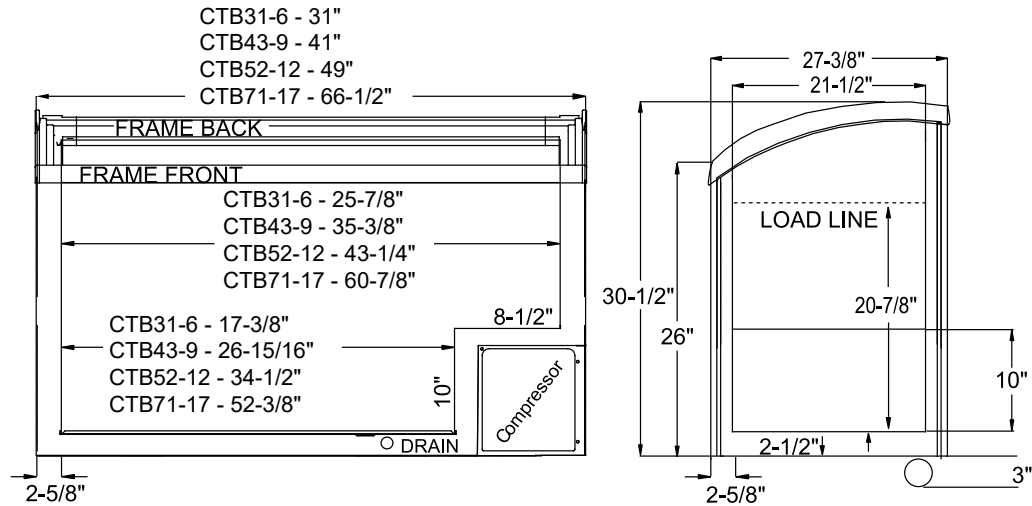
- Basket dividers

* Most options are available one week from receipt of order. Please contact us for specific questions.

** ETL is Intertek Labs Safety Certification Mark which indicates that Intertek has tested the equipment to applicable CSA Standards.

** ETL-Sanitation is Intertek Labs Sanitation Certification Mark which indicates that Intertek has tested the equipment to applicable NSF Standards.

CURVED LID DISPLAY FREEZER



SPECIFICATIONS

Models	CTB31-6	CTB43-9	CTB52-12	CTB71-17
<i>Crated Weight (lbs) (kg)</i>	155 (70)	188 (85)	212 (95)	270 (122)
<i>Crated Height (in) (cm)</i>	40 (102)	40 (102)	40 (102)	40 (102)
<i>Crated Width (in) (cm)</i>	33 (84)	43 (109)	52 (132)	69-1/2 (177)
<i>Crated Depth (in) (cm)</i>	30-1/2 (77)	30-1/2 (77)	30-1/2 (77)	30-1/2 (77)
<i>Interior Height (in) (cm)</i>	21 (53)	21 (53)	21 (53)	21 (53)
<i>Interior Width (in) (cm)</i>	25-7/8 (66)	35-3/8 (90)	43-1/4 (110)	60-7/8 (155)
<i>Interior Depth (in) (cm)</i>	21-1/2 (55)	21-1/2 (55)	21-1/2 (55)	21-1/2 (55)
<i>Overall Height (in) (cm)</i>	33-1/2 (85)	33-1/2 (85)	33-1/2 (85)	33-1/2 (85)
<i>Overall Width (in) (cm)</i>	31 (79)	41 (104)	49 (125)	66-1/2 (169)
<i>Overall Depth (in) (cm)</i>	27-3/8 (70)	27-3/8 (70)	27-3/8 (70)	27-3/8 (70)
<i>Gross Cubage (CuFt) (L)</i>	8.3 (234.9)	11.5 (325.5)	14.3 (404.9)	20.3 (574.8)
<i>Number of Baskets*</i>	3	4	5	6
<i>Number of Casters</i>	4	4	4	4
<i>Condensing Unit Size</i>	1/3 HP	3/8 HP	3/8 HP	3/4 HP
<i>Refrigerant</i>	R290	R290	R290	R290
<i>Electrical Characteristics</i>	115/60/1	115/60/1	115/60/1	115/60/1
<i>Cord and Plug Furnished</i>	Yes	Yes	Yes	Yes
<i>NEMA Plug Configuration</i>	5-15P	5-15P	5-15P	5-15P
<i>Total Amp Draw</i>	1.3	1.4	2.0	4.1

Specifications subject to change without notice.

* includes 1 divider per basket



Revision Date: 5/21
 Part Number: 162835

©2021 Norlake, Inc. All rights reserved.