



NOR-LAKE, INCORPORATED
727 Second Street
Hudson, Wisconsin 54016

800-955-5253
715-386-2323
866-961-5253 Parts
800-388-5253 Service
715-386-6149 FAX
www.norlake.com

FLAT LID DISPLAY FREEZER



FTB52-12

PROJECT:

ITEM NUMBER:

MODEL NUMBER:

SPECIFICATIONS FOR: FTB31-6, FTB43-9, FTB52-12, FTB71-17

- **Finish:** Painted white powder coated steel interior and exterior
- **Doors:** Sliding glass doors - flat glass with one piece frame, lid locks with keys
- **Hardware:** (4) four casters, baskets and dividers, rubber bumper guards on grill side
- **Electrical:** 115/60/1 with cord and plug
- **Refrigeration:** Self-contained refrigeration system. Operating temperature: -18°F to +10°F. R290 Refrigerant.
- **Approvals:** ETL Safety (US and Canada), ETL Sanitation

STANDARD FEATURES

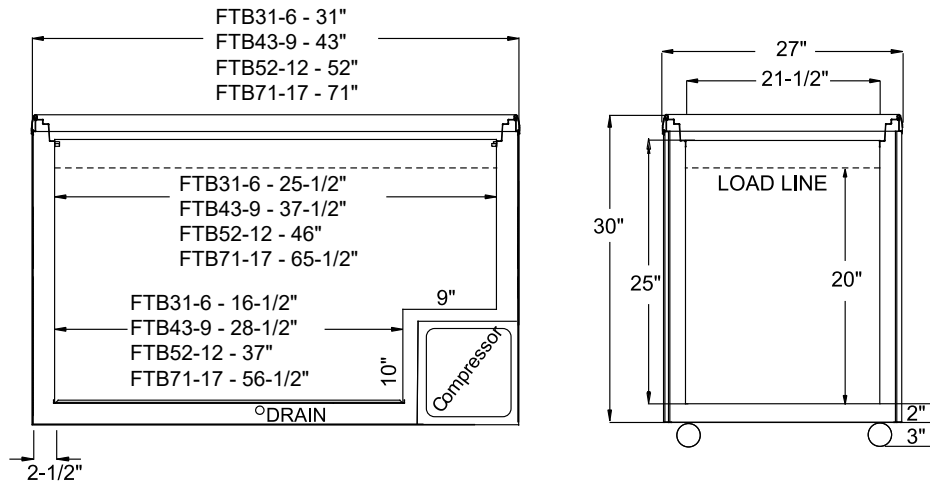
- Baskets and dividers
- Bottom drain with plug
- External analog thermometer display
- Interior LED lighting with separate on/off switch
- Lid lock and keys
- Operating temperature: -18°F to +10°F
- Rubber bumper guards on grill side
- Sliding glass doors
- White interior and exterior
- Warranties: 1 year parts and labor, 5 year compressor
- Approvals: ETL Safety (US and Canada), ETL Sanitation

* Most options are available one week from receipt of order. Please contact us for specific questions.

** ETL is Intertek Labs Safety Certification Mark which indicates that Intertek has tested the equipment to applicable CSA Standards.

** ETL-Sanitation is Intertek Labs Sanitation Certification Mark which indicates that Intertek has tested the equipment to applicable NSF Standards.

FLAT LID DISPLAY FREEZER



SPECIFICATIONS

Models	FTB31-6	FTB43-9	FTB52-12	FTB71-17
<i>Crated Weight (lbs) (kg)</i>	159 (72)	192 (86)	224 (101)	280 (126)
<i>Crated Height (in) (cm)</i>	39-1/2 (100)	39-1/2 (100)	39-1/2 (100)	39-1/2 (100)
<i>Crated Width (in) (cm)</i>	34 (86)	46 (117)	55 (140)	74 (188)
<i>Crated Depth (in) (cm)</i>	30 (76)	30 (76)	30 (76)	30 (76)
<i>Interior Height (in) (cm)</i>	25 (64)	25 (64)	25 (64)	25 (64)
<i>Interior Width (in) (cm)</i>	25-1/2 (65)	37-1/2 (95)	43-1/2 (111)	65-1/2 (166)
<i>Interior Depth (in) (cm)</i>	21-1/2 (55)	21-1/2 (55)	21-1/2 (55)	21-1/2 (55)
<i>Overall Height (in) (cm)</i>	33 (84)	33 (84)	33 (84)	33 (84)
<i>Overall Width (in) (cm)</i>	31 (79)	43 (109)	52 (132)	71 (180)
<i>Overall Depth (in) (cm)</i>	27 (69)	27 (69)	27 (69)	27 (69)
<i>Gross Cubage (CuFt) (L)</i>	7.4 (209.5)	11.1 (314.3)	13.8 (390.7)	20.0 (566)
<i>Number of Baskets*</i>	2	3	4	5
<i>Number of Casters</i>	4	4	4	4
<i>Condensing Unit Size</i>	1/3 HP	1/3 HP	1/3 HP	2/3 HP
<i>Refrigerant</i>	R290	R290	R290	R290
<i>Electrical Characteristics</i>	115/60/1	115/60/1	115/60/1	115/60/1
<i>Cord and Plug Furnished</i>	Yes	Yes	Yes	Yes
<i>NEMA Plug Configuration</i>	5-15P	5-15P	5-15P	5-15P
<i>Total Amp Draw</i>	1.3	1.4	2.0	4.1

Specifications subject to change without notice.

** includes 1 divider per basket*



Revision Date: 5/21
Part Number: 162834

©2021 Norlake, Inc. All rights reserved.