

# WARM WELL. SERVE BETTER.

## TOPPING WARMER WITH PUMP

Conveniently serve toppings such as fudge or caramel from a #10 can or 3 qt jar (jar sold separately)

Stainless steel pump provides consistent servings while managing food costs – 1 oz per stroke; adjust in 1/8 ounce increments



Temperature-sensing thermostat turns wrap-around heating element on or off as needed to prevent accidental burning or scorching



### TOPPING WARMER WITH PUMP

Model FSP

#### Food Applications

- Warm and serve various food and dessert toppings from a #10 can or 3 quart stainless steel jar (sold separately)

#### Fast Facts

Keep toppings and sauces at their peak freshness with this water-bath warmer. Fast, even heat prevents overheating and food waste; thermostat turns the wrap-around heating element on or off as needed.

Portion control manages serving sizes of expensive ingredients; dispense 1 ounce max, adjusts in 1/8 ounce increments.

Colored, engraved knobs to quickly differentiate product is available upon request.

Want to pump from a pouch? The Pouch Conversion Kit (81184) modifies your unit to interface with 48 oz topping pouches. The anodized pouch support allows you to warm food without a waterbath.

Flexible design also allows use with a ladle (FS), or a squeeze bottle inset (SBW) (both sold separate).



1.800.558.8722  
Server-Products.com

TOPPING WARMER WITH PUMP  
Model FSP

# EVEN HEATING. EVEN BETTER TOPPINGS.

## TOPPING WARMER WITH PUMP

Model FSP

### Specifier Statement

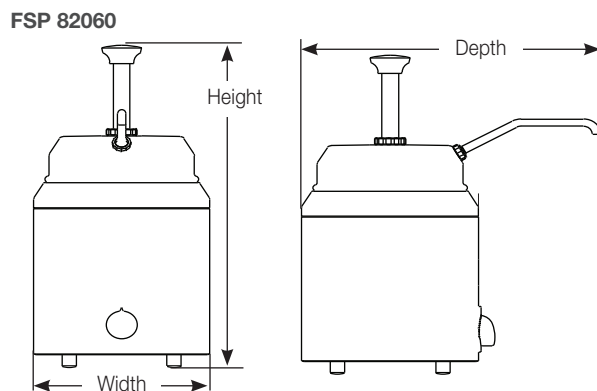
Server Products Model FSP Topping Warmer with Pump is constructed of polished stainless steel. An adjustable, precalibrated thermostat controls the 500 watt heating element; temperature settings are marked on thermostat knob, and an ON/OFF rocker switch controls the power. Unit dispenses from a #10 can or 3 quart stainless steel jar (94009) (not included). The warmer features stainless steel, portion-controlled pump. Max stroke yields 1 ounce (30 mL), reduces in 1/8 ounce (3.9 mL) increments. NSF listed. Rethermalizer. C-UL-US listed. Two-year warranty. Ships FOB Richfield, WI 53076.

### Product Code

Hot Topping Server with Pump FSP 82060

### Accessory Item

FSP Conversion Kit 81184



### Specifications

Part Number	Capacity	Dimensions (height x width x depth)	Weight
82060	3 qt 2.8 L	15 3/4" x 7 3/4" x 13 1/16" 40 x 19.7 x 33.2 cm	9 lb 4.1 kg



Plug is NEMA 5-15P with 72" (183 cm) cord

230V models also available



### Related Items

The Supreme™ hot topping merchandiser dispenses from a 3 qt stainless steel jar or manufacturer's #10 can using a stainless steel pump. Unit includes a kit of (3) magnetic merchandising signs: Caramel, Cheese and Fudge (kit p/n 86749).



81184  
FSP Conversion Kit

81140 Supreme™  
Hot Topping Merchandiser



Server Products, Inc. | 800.558.8722 | Intl: 262.628.5600  
3601 Pleasant Hill Road | Richfield WI 53076  
spsales@server-products.com | server-products.com

Server Products, Inc. reserves the right to modify specifications without obligation.  
Printed in USA | © Server Products, Inc 01.2019 | S 02049