



Outperform every day.™

Project:

Item Number:

Quantity:

Standard Traditional Style Breath Guards

The Vollrath Company, L.L.C.

STANDARD TRADITIONAL STYLE BREATH GUARDS



DESCRIPTION

Traditional Contemporary breath guards are both light weight for easy installation and strong for long-term use. These breath guards can be used with Signature Server® and over drop-ins.

FEATURES

- Constructed of 1½" (3.2 cm) extruded aluminum, Traditional breath guards are both light weight for easy installation and strong for long-term use
- ¼" (6.4 mm) tempered glass is secured in a tight-fitting channel, creating a continuous, clean line from framework to glass
- Available in natural aluminum finish or 9 stylish powder-coated colors
- Mounts to stainless steel, solid surface and laminate countertops

WARRANTY

All models shown come with Vollrath's standard warranty against defects in materials and workmanship. For full warranty details, please refer to www.Vollrath.com.

BUILD A MODEL NUMBER

Step 1* Select Base Item		
Length	For Use With Signature Server® With Stainless Steel Countertops	For Use Over Drop-ins and Signature Server® With Non-Stainless Steel Countertops
Double-Sided Buffet		
2-Well/Pan	—	PB89285
3-Well/Pan	89286	PB89286
4-Well/Pan	89287	PB89287
5-Well/Pan	89288	PB89288
6-Well/Pan	89289	PB89289
Single-Sided Buffet with Top Shelf		
2-Well/Pan	—	PB89280
3-Well/Pan	89281	PB89281
4-Well/Pan	89282	PB89282
5-Well/Pan	89283	PB89283
6-Well/Pan	89284	PB89284
Single-Sided Buffet		
2-Well/Pan	—	PB89270
3-Well/Pan	89271	PB89271
4-Well/Pan	89272	PB89272
5-Well/Pan	89273	PB89273
6-Well/Pan	89274	PB89274
Cafeteria with Top Shelf		
2-Well/Pan	—	PB89265
3-Well/Pan	89266	PB89266
4-Well/Pan	89267	PB89267
5-Well/Pan	89268	PB89268
6-Well/Pan	89269	PB89269
Vertical Cafeteria		
2-Well/Pan	—	PB89260
3-Well/Pan	89261	PB89261
4-Well/Pan	89262	PB89262
5-Well/Pan	89263	PB89263
6-Well/Pan	89264	PB89264

Step 2 Select Color	
Suffix	Color
99	Standard Aluminum
00	Polished Chrome
10	Brass
30	Black 80% Gloss
40	White Hammer
50	Copper Vein
60	Silver Vein

Optional Step 3 Select Accessories	
Not available for Single-Sided Buffet, Cafeteria and Vertical styles.	
Suffix	Length
Fluorescent Lights	
66	2-Well/Pan
67	3-Well/Pan
92	4-Well/Pan
93	5-Well/Pan
94	6-Well/Pan
Incandescent Lights	
05	2-Well/Pan
06	3-Well/Pan
07	4-Well/Pan
08	5-Well/Pan
09	6-Well/Pan
Cayenne® Heat Strips	
95	2-Well/Pan
68	3-Well/Pan
97	4-Well/Pan
98	5-Well/Pan
11	6-Well/Pan
Cayenne® Heat Strips w/ Lights	
13	2-Well/Pan
01	3-Well/Pan
02	4-Well/Pan
03	5-Well/Pan
04	6-Well/Pan

*When ordering breath guards for Signature Server® bases with stainless steel countertops, 14 gauge countertops must be specified, will be supplied by Vollrath and added to the cost of the base. Please see the Vollrath Food Service List Prices book.

Due to continued product improvement, please consult www.vollrath.com for current product specifications.



Outperform every day.™

www.vollrath.com

The Vollrath Company, L.L.C.

1236 North 18th Street
Sheboygan, WI 53081-3201 U.S.A.
Main Tel: 800.624.2051 or 920.457.4851
Main Fax: 800.752.5620 or
920.459.6573

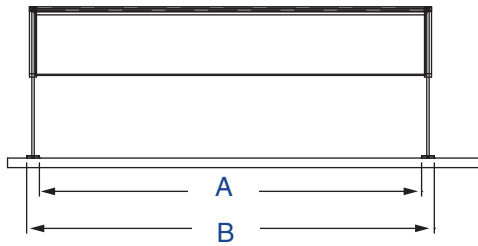
Technical Services

techservices@vollrathco.com
Induction Products: 800.825.6036
Countertop Warming Products:
800.354.1970
All Other Products: 800.628.0832

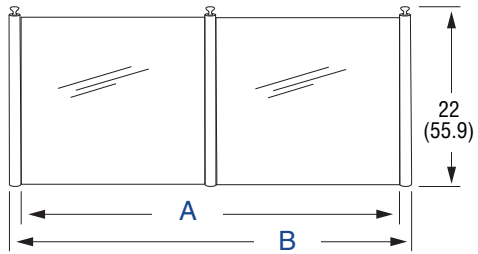
STANDARD TRADITIONAL STYLE BREATH GUARDS

DIMENSIONS (Shown in inches (cm))

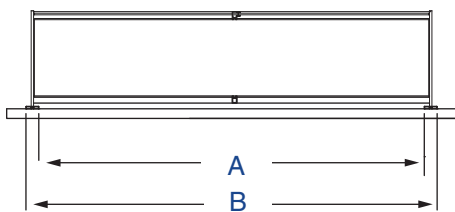
Front View



Double-Sided Buffet, Single-Sided Buffet with Top Shelf and Single-Sided Buffet

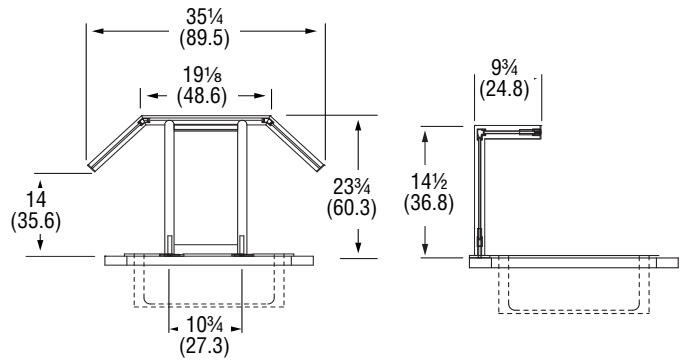


Vertical Cafeteria



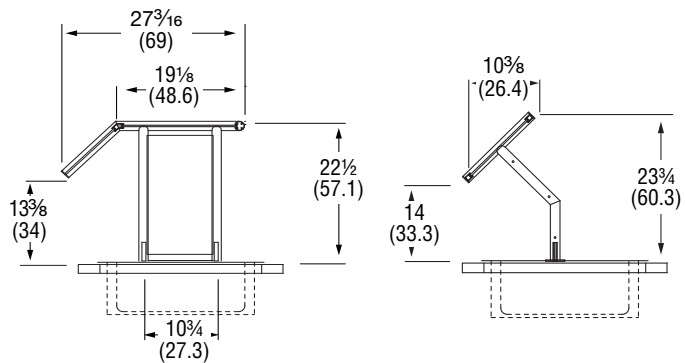
Single-Sided Cafeteria with Top Shelf

Side View



Double-Sided Buffet

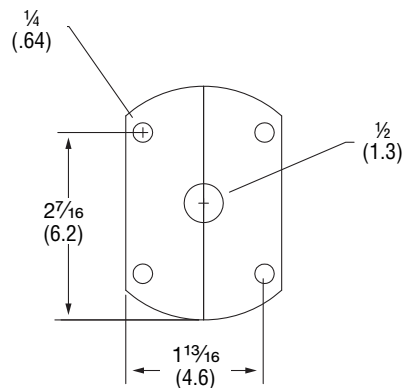
Cafeteria with Top Shelf



Single-Sided Buffet with Top Shelf

Single-Sided Buffet

Base Plate



Style	(A) Inside of Flange to Inside of Flange	(B) Outside of Flange to Outside of Flange
For Use With Signature Server® With Stainless Steel Countertops		
Two-Well/Pan	28 (71.1)	30 (76.2)
Three-Well/Pan	41 (104.1)	45 (114.3)
Four-Well/Pan	55 (139.7)	59 (149.9)
Five-Well/Pan	69 (175.2)	73 (185.4)
Six-Well/Pan	83 (210.8)	87 (221)
For Use Over Drop-ins or Signature Server® With Non-Stainless Steel Countertops		
Two-Well/Pan	30 1/2 (77.5)	34 1/2 (87.6)
Three-Well/Pan	43 (109.2)	47 (119.4)
Four-Well/Pan	56 1/4 (142.9)	60 1/4 (153)
Five-Well/Pan	69 1/2 (176.5)	73 1/2 (186.7)
Six-Well/Pan	82 3/4 (210.2)	86 3/4 (220.3)



Outperform every day.™

www.vollrath.com

The Vollrath Company, L.L.C.
1236 North 18th Street
Sheboygan, WI 53081-3201 U.S.A.
Main Tel: 800.624.2051 or 920.457.4851
Main Fax: 800.752.5620 or
920.459.6573

Technical Services
techservicereps@vollrathco.com
Induction Products: 800.825.6036
Countertop Warming Products:
800.354.1970
All Other Products: 800.628.0832