

Project	Quantity	Item #
Model Specified:		CSI Section 11400

Reach-In Even-Thaw Refrigerator/ Self-Contained



Model Shown Two Section
(shown with optional casters)

Two Section Reach-In Models, 32" Deep



Stainless Exterior
& Interior

Full Length Door Model RET232NUT-FHS
Half Length Door Model RET232NUT-HHS

The R-Series "N-Width" reach-in Even Thaw Refrigerator is designed especially to thaw full loads of frozen food product under safe, temperature controlled conditions.

This model includes such high quality cabinet features as stainless steel exterior and interior construction, self-closing doors with a stay open feature, and is equipped standard with a full compliment of stainless steel tray slides to accommodate either: one (1) 18" x 26" or two (2) 14" x 18" pans per pair of tray slides.*

* Traulsen's even thaw models are solely intended for thawing, and not for use as holding cabinets.

Standard Product Features

- Traulsen's Smart Control With LED Display
- StayClear™ Condenser
- Stainless Steel Exterior & Interior
- Special Refrigeration System/Air Flow Design Promotes Rapid, Safe Thawing Of Frozen Food Product
- Full or Half Length Stainless Steel Doors With Locks
- Self-Closing Doors With Stay Open Feature At 120°
- Guaranteed For Life Cam-Lift Hinges
- Guaranteed For Life Horizontal Work Flow Door Handle
- Stainless Steel Breaker Caps
- Twenty Eight (28) #1 Type Tray Slides 4" O.C. (14 per section)
- Automatic Non-Electric Condensate Evaporator
- Magnetic Snap-In EZ-Clean Door Gasket(s)
- Gasket-Protecting Metal Door Liner
- 9' Cord & Plug Attached
- Set Of Four (4) 6" High Adjustable Stainless Steel Legs
- Three Year Parts And Labor Warranty
- Five Year Compressor Warranty

Options & Accessories

- Set of Four (4) 6" High Casters In Lieu of Legs
- Set of Four (4) 4-5/8" High Casters In Lieu of Legs
- 4-1/2" High Stainless Steel Base In Lieu of Legs
- 6" High Stainless Steel Kick Plate
- Stainless Steel Finished Back With Rear Louvers
- Plated Shelves To Fit Tray Slides
- Re-Hinging Feature
- Decorative Kool Klad Laminate Decor
- EZ-Open Foot Pedal (full height doors only)



This unit is listed to the applicable UL, CSA and NSF Standards by an approved NRTL. Consult the factory or unit's data plate for approval information.



Approval: _____



TRAULSEN
4401 BLUE MOUND RD.
PHONE 1 (800) 825-8220
Website: www.traulsen.com

FT. WORTH, TX 76106
FAX-MKTG. 1 (817) 624-4302

Project	Quantity	Item #
Model Specified:		CSI Section 11400

Specifications

Construction, Hardware and Insulation

Cabinet exterior, including front, one piece sides, louver assembly and doors are constructed of heavy gauge stainless steel. Cabinet interior and door liners are constructed of stainless steel. Exterior cabinet top, back and bottom are constructed of heavy gauge galvanized steel. A set of four (4) adjustable 6" high stainless steel legs are included.

Doors are equipped with removable plug cylinder locks and guaranteed for life cam-lift, gravity action, self-closing metal, glide hinges with stay open feature at 120 degrees. Guaranteed for life, work flow door handle is mounted horizontally over recess in door which limits protrusion from door face into aisle ways.

Gasket profile and material simplify cleaning and increase overall EZ-Clean gasket life. Anti-condensate heaters are located behind each door opening.

Cabinet and door contains high density, non-CFC, foamed in place polyurethane insulation.

DIMENSIONAL DATA	RET232NUT ³
Net capacity cu. ft.	46.0 (1303 l)
Length - overall in.	52 $\frac{1}{8}$ (132.4 cm)
Depth - overall in.	35 (88.8 cm)
Depth - over body in.	32 (81.3 cm)
Depth - with door open 90° in.	55 $\frac{3}{4}$ (141.6 cm)
Clear door width in.	21 $\frac{1}{8}$ (53.6 cm)
Clear full-door height in.	57 $\frac{5}{8}$ (146.3 cm)
Clear half-door height in.	27 $\frac{1}{2}$ (69.9 cm)
Height - overall on 6" legs ²	83 $\frac{3}{4}$ (211.5 cm)
Pan Capacity - 18" x 26"	28
Pan Capacity - 14" x 18"	56
Net Wt. lbs.	560 (254 kg)
ELECTRICAL DATA	
Voltage	115/60/1
Feed wires with Ground	3
Full load amperes	16.0
REFRIGERATION DATA	
Refrigerant	R-450A
Refrigerant Charge Amount oz.	30 (850.5 gr)
BTU/HR H.P. ¹	4240 (1/2 HP)

NOTES:

Figures in parentheses reflect metric equivalents.

1-Based on a 90° F ambient and 20° F evaporator.

2-12" Top clearance preferred for optimum performance and service access.

3-Traulsen's even thaw's are solely intended for thawing, and not for use as holding cabinets.

Refrigeration System

A top mounted, self-contained, balanced refrigeration system using environmentally friendly, non-flammable R-450A refrigerant is conveniently located behind the one piece louver assembly. It features a finless StayClear™ condenser, a large high humidity evaporator coil located outside the food zone, and a top mounted non-electric condensate evaporator. Heaters and fans mounted in the mullion facilitate the Even Thaw process. Standard operating temperature is 37 to 41°F.

Controller

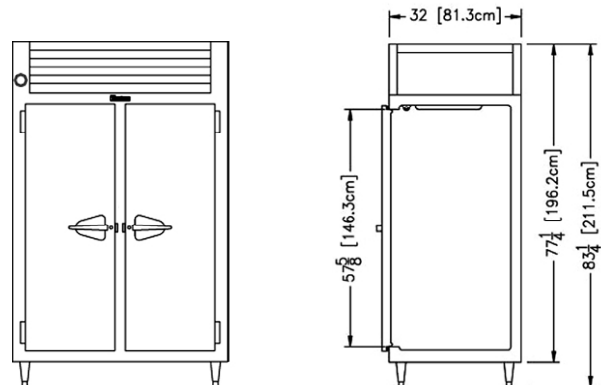
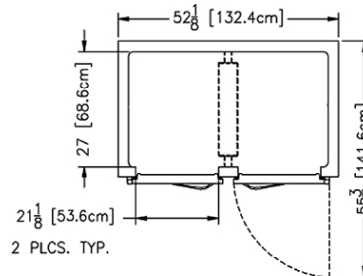
Traulsen's Smart Control features advanced control algorithms and sophisticated diagnostic capabilities. Smart sensors will adapt the operation of the refrigeration system to a variety of environments and usage patterns. The Smart Control offers a complete set of visual alarms designed to alert the user to critical events. In the event of an alarm, a dedicated Alarm LED will illuminate, informing the user of the critical event and describing the event in the large, easy to read full text display.

Interior

Standard interior arrangements include twenty eight (28) #1 tray slides 4" O.C., fourteen per section. Each pair of tray slides can accommodate either: (1) 18" x 26" or (2) 14" x 18" pans.

Warranties

Both a three year parts and labor warranty and a five year compressor warranty (self-contained models only) are provided standard.



Equipped With One NEMA 5-20 P Plug

Full load amps and plug style may vary depending on electrical options chosen and condensing unit employed.

NOTE: When ordering please specify: Voltage, Hinging, Door Size and Options.

Continued product development may necessitate specification changes without notice.

Part No. TR35805 (REV. 07-08-22)

TRAULSEN
4401 BLUE MOUND RD.
PHONE 1 (800) 825-8220
Website: www.traulsen.com

FT. WORTH, TX 76106
FAX-MKTG. 1 (817) 624-4302