



GL-C
208/230V

Chemical Sanitizing
Undercounter Glasswasher

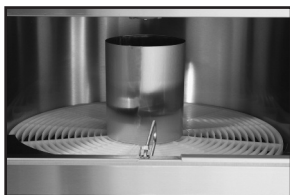


FEATURES:

- Cleans and sanitizes up to 1000 2-1/2" glasses per hour.
- Hands-free glass activated on/off stop is safe and convenient.
- Independent upper and lower wash and rinse arms ensure superior results.
- 208-230V (GL-C) with built-in 3kW electric tank heater maintains the recirculated wash water to the recommended 140°F wash temperature.
- Compatible with both Iodine and Chlorine Sanitizers.
- Simple controls for operation and cleaning.
- All stainless steel construction assures trouble free service and a long life.
- Optional rinse temperature allows flexible sanitizing options.
- Poly Pro™ circular conveyor is extremely durable and reduces chipping and breakage of glassware.
- Double wall construction for quiet back bar operation.
- Internal chemical storage.
- Built-in chemical pumps with primer switches.



**THE GL-C INCLUDES
DRAIN TRAY AND
WASTE COLLECTOR**



Stainless steel wash/rinse chamber.



Independent spray arms blast water from the top and bottom for optimum cleaning, sanitizing and rinsing.

**CMA
MIZER®**
Registered Trademark



Intertek
3090590



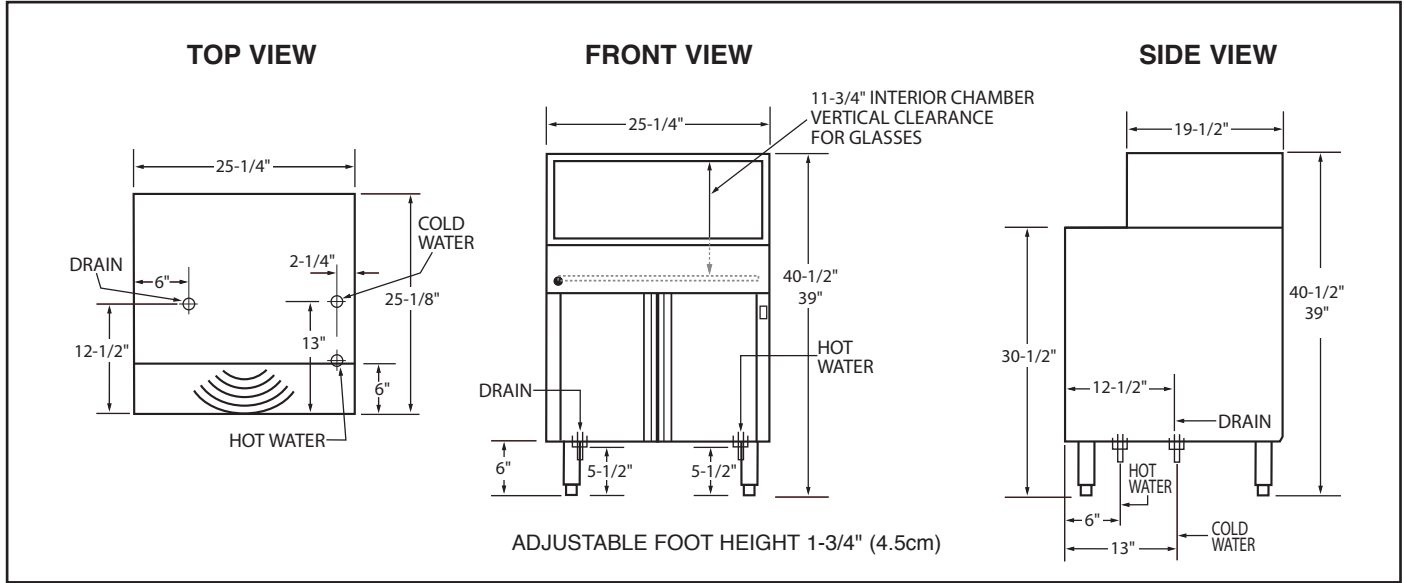
Intertek
3090590



GL-C
208/230V
Chemical Sanitizing
Undercounter Glasswasher

WARNINGS:

- Plumbing connections must be made by a qualified service company who will comply with all available Federal, State, and Local Health, Plumbing and Safety codes.
- CMA recommends utilizing a water softening system to maintain water hardness measurements of 3.5 gpg (grains per gallon) or less. This will assure maximum results and optimum operation of the dishmachine.



Specifications:

MODEL GL-C	USA	METRIC	USA	METRIC
OPERATING CAPACITY (2-1/2") GLASSES PER HOUR	1000	1000		
OPERATING TEMPERATURES				
INLET WATER. (HOT) RECOMMENDED	140°F	(60°C)		
INLET WATER. (COLD)	75°F	(24°C)		
WATER CONSUMPTION				
HOT WATER (INITIAL FILL)	3 GAL	(11.25 L)		
HOT WATER PER HOUR (MAX)	12 GAL	(45.42 L)		
COLD WATER PER MINUTE (APPROX)	2.8 GPM	(10.6 LPM)		
WATER REQUIREMENTS				
HOT WATER INLET	1/2"	(1.27cm)		
COLD WATER INLET	1/2"	(1.27cm)		
DRAIN (MAX)	1-1/2"	(3.81cm)		
DIMENSIONS				
DEPTH	25-1/8"	(63.8cm)		
WIDTH	25-1/4"	(64.1cm)		
HEIGHT	39"-40-1/2"	(99-102.8cm)		
MAXIMUM CLEARANCE FOR GLASSWARE	11-3/4"	(29.84cm)		
ELECTRICAL RATING GL-C	VOLTS 208-230/60/1	AMPS 14.8-14.6		
TANK HEATER - GL-C		3kW		
APPROXIMATE SHIPPING WEIGHT	188#	(85kg)		
SHIPPING DIMENSIONS	PALLET & BOX @ 29" X28" X 41"			

Summary Specifications: Model GL-C (208/230)

The **GL-C** glasswasher is designed to produce sparkling clean glassware utilizing separate detergent, sanitizer and rinse aid chemical pumps. Standard features include upper and lower wash/rinse arms, wash tank heater, Poly Pro™ conveyor, splash curtains, double-walled construction, and storage space for three 1-gallon containers. The **GL-C** is constructed for extended life out of stainless steel.

Advisory: CMA does NOT endorse "Tankless On-Demand" water heaters for use on CMA Dishmachine products. CMA DOES endorse, and highly recommends, the standard "tank" style water heaters, sized properly to handle each particular facility with their water heating requirements.



CMA Dishmachines 12700 Knott Street Garden Grove, CA 92841 • 800-854-6417 • 714-898-8781 • Fax: 714-895-2141 • www.cmadishmachines.com

CMA reserves the right to modify specifications or discontinue models without prior notification.

PN: 10118.52

© 4-2018 CMA, Inc.

an Ali Group Company



The Spirit of Excellence