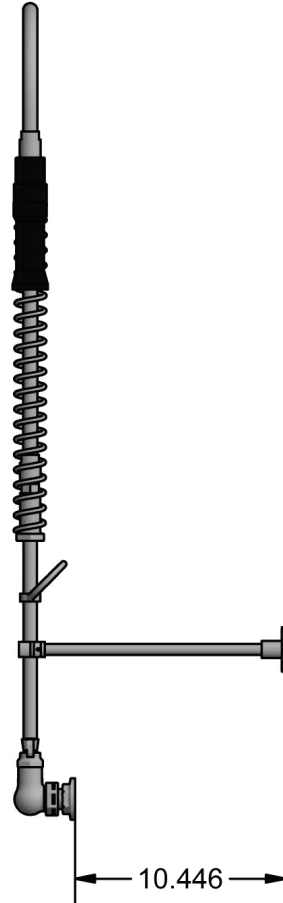
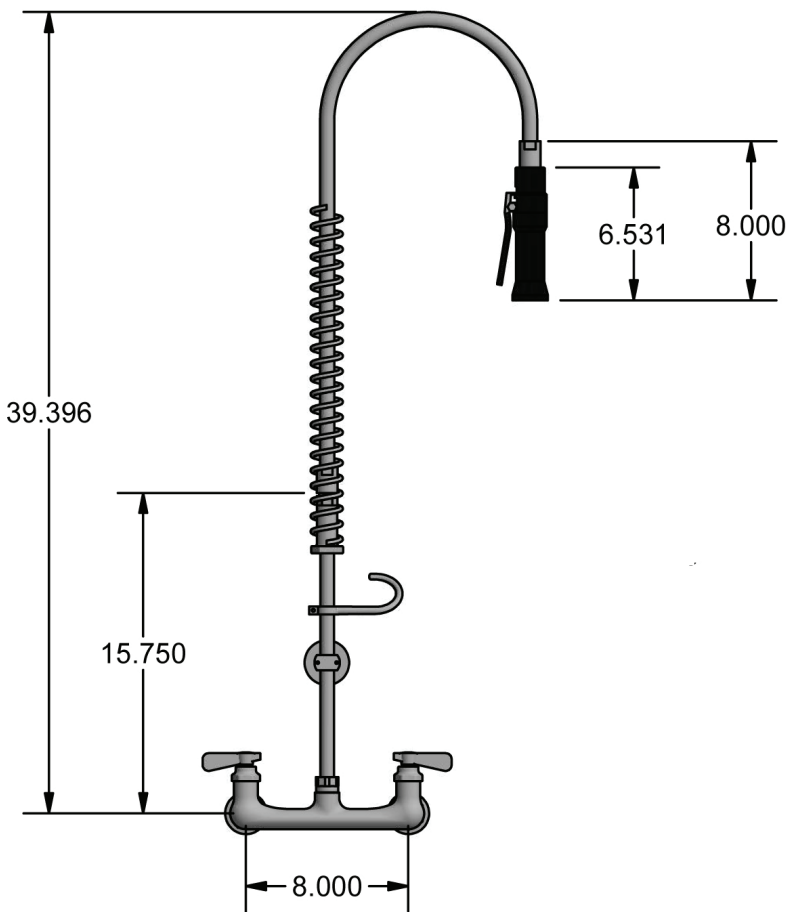




8" Heavy Duty Splash Mount Pre-Rinse

Model: BKF-CSVS-WB-G, Lead Free



Product Specifications:

- Imperial Series Commercial Pre-Rinse Kit
- Vari-Spray Nozzle (2 Year Warranty)
- 12" Wall Bracket
- 1/4 Turn Ceramic Cartridges
- Integral Check Valves
- Color Coded Hot & Cold Indicators
- 1/2" Female Inlets

Certifications:



PRODUCT SPECIFICATION SHEET

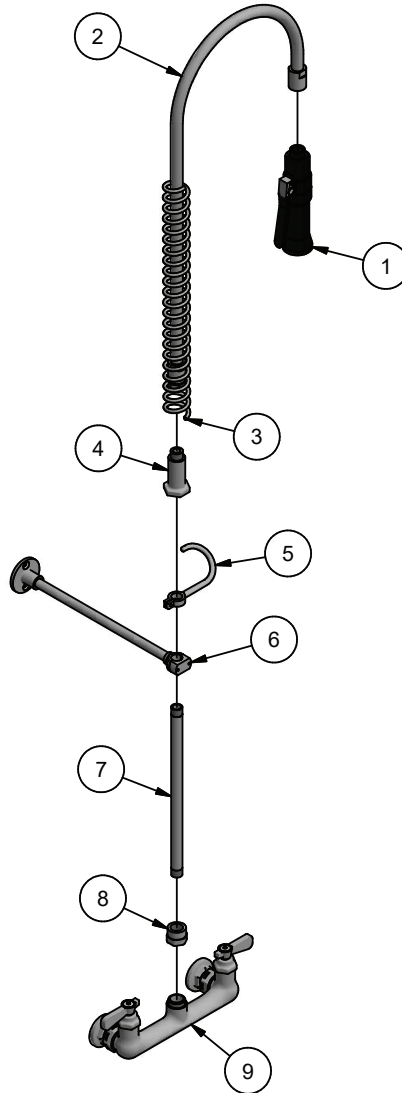
RESOURCES





8" Heavy Duty Splash Mount Pre-Rinse

Model: BKF-CSVS-WB-G, Lead Free



Exploded Parts Detail:

Diagram #	Quantity	Part Number	Description
1	1	BKF-BVSPRV	Black Vari-Spray Nozzle
2	1	BKH-44-G	Spray Hose
3	1	BK-PR-SPRING	Hose Spring
4	1	BK-PR-SPR	Hose Retainer
5	1	BK-PR-SHR	Spray Valve Retainer
6	1	BK-PR-WB	Wall Bracket
7	1	BK-PR-24RP-G	24" Riser Pipe
8	1	BK-PR-ADP	Pre-Rinse Adapter
9	1	BKF-XX-G	Faucet Body

PRODUCT SPECIFICATION SHEET

RESOURCES

