



# Deep Drawn 2 Compartment Drop-In Sink

## Drop In Sinks

### Certifications:



### Features:

- Deep Drawn Construction for a seamless and more appealing design
- Traditional Top Mount
- Includes (2) BKDR-4 Drains
- Faucet Holes 4" O.C.

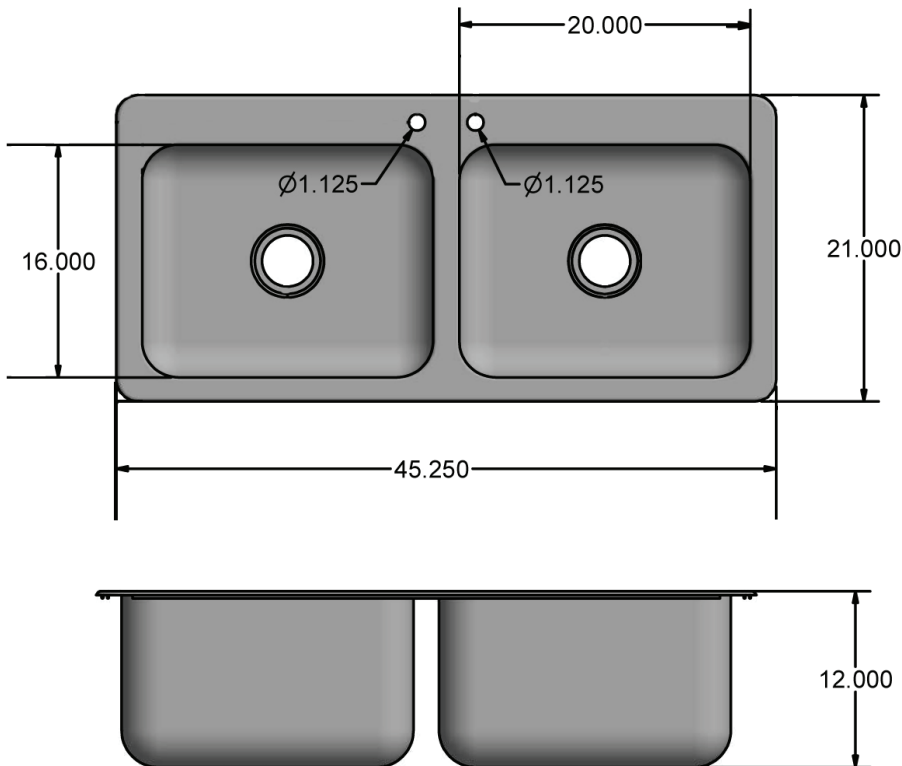
### Material:

- T-304 18 ga. Stainless Steel

### Options:

- Upgrade to OptiFlow Heavy Duty Faucets or Evolution Stainless Steel Faucets
- Wrist Blades
- "-P-G" Includes BKD-8G-G Lead-Free Faucet

Part Number	Unit Size (l x w x d)	Bowl Size (l x w x d)	Included Faucet
DDI2-20161224	45 <sup>1/4</sup> " x 21" x 12" (d)	20" x 16" x 12" (d)	-
DDI2-20161224-P-G	45 <sup>1/4</sup> " x 21" x 12" (d)	20" x 16" x 12" (d)	BKD-8G-G



PRODUCT DATA SHEET

BK RESOURCES

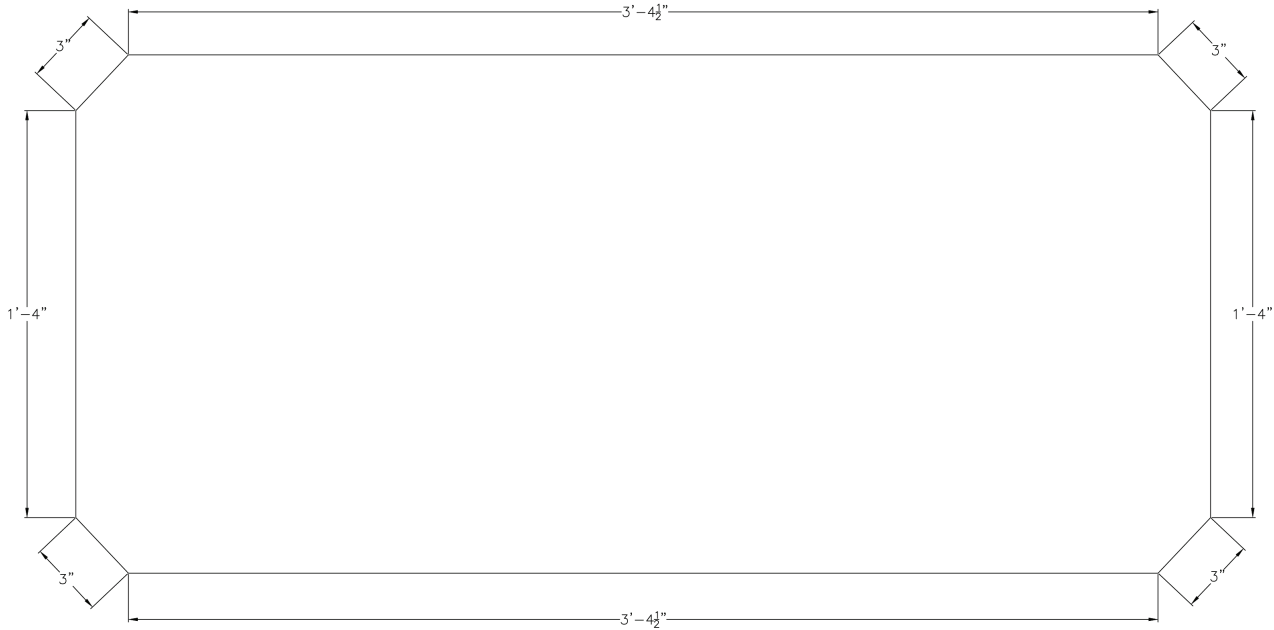




# Deep Drawn 2 Compartment Drop-In Sink

Drop In Sinks

## Recommended Cutout Size



PRODUCT DATA SHEET

BK RESOURCES

