



ADA Multistation Handwash Sinks

Stainless Steel Hand Sinks



Use your smart phone to scan the above QR code to visit our website:
www.bk-resources.com

Certifications:



Features:

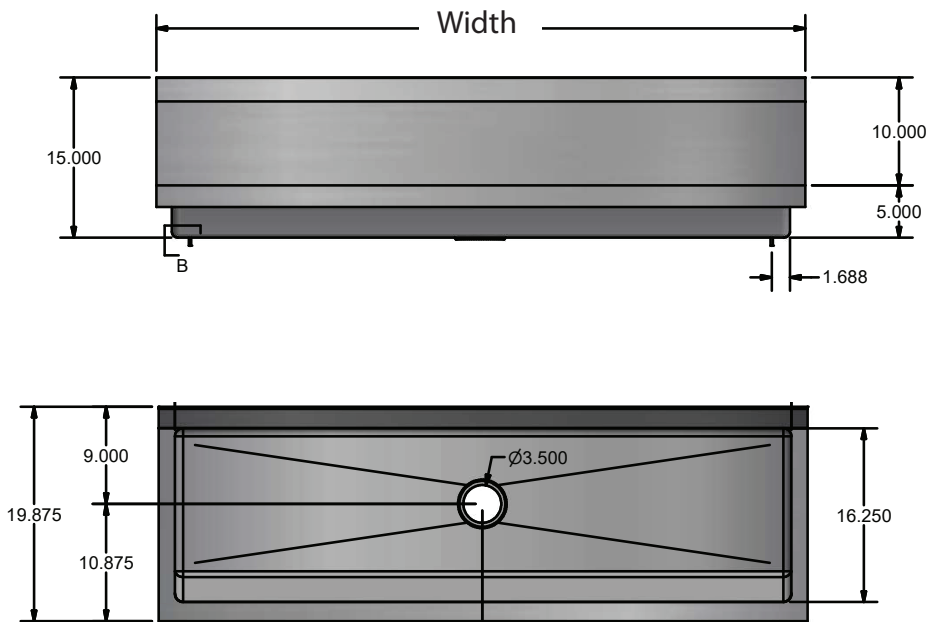
- T-304 Basket Drain Included
- ADA Compliant
- 2, 3, or 4 stations per sink available
- Splash Mounted Single Hole or 8" On Center Faucet
- 18.25" Overall Height
- **Custom faucet hole configurations available**
- **3-5 day lead time on all units**



Material:

- 14 Ga. T-304 Stainless Steel Sink

Part Number	Handwash Stations	Faucet / Spout Mounting	Overall Dimensions
MSHSA-48W1	2	Single Hole Splash	48" (w) x 19 ^{7/8} " (d)
MSHSA-48W2	2	2 Hole 8" O.C. Splash	48" (w) x 19 ^{7/8} " (d)
MSHSA-60W1	2	Single Hole Splash	60" (w) x 19 ^{7/8} " (d)
MSHSA-60W2	2	2 Hole 8" O.C. Splash	60" (w) x 19 ^{7/8} " (d)
MSHSA-72W1	3	Single Hole Splash	72" (w) x 19 ^{7/8} " (d)
MSHSA-72W2	3	2 Hole 8" O.C. Splash	72" (w) x 19 ^{7/8} " (d)
MSHSA-96W1	4	Single Hole Splash	96" (w) x 19 ^{7/8} " (d)
MSHSA-96W2	4	2 Hole 8" O.C. Splash	96" (w) x 19 ^{7/8} " (d)



PRODUCT DATA SHEET

BK RESOURCES

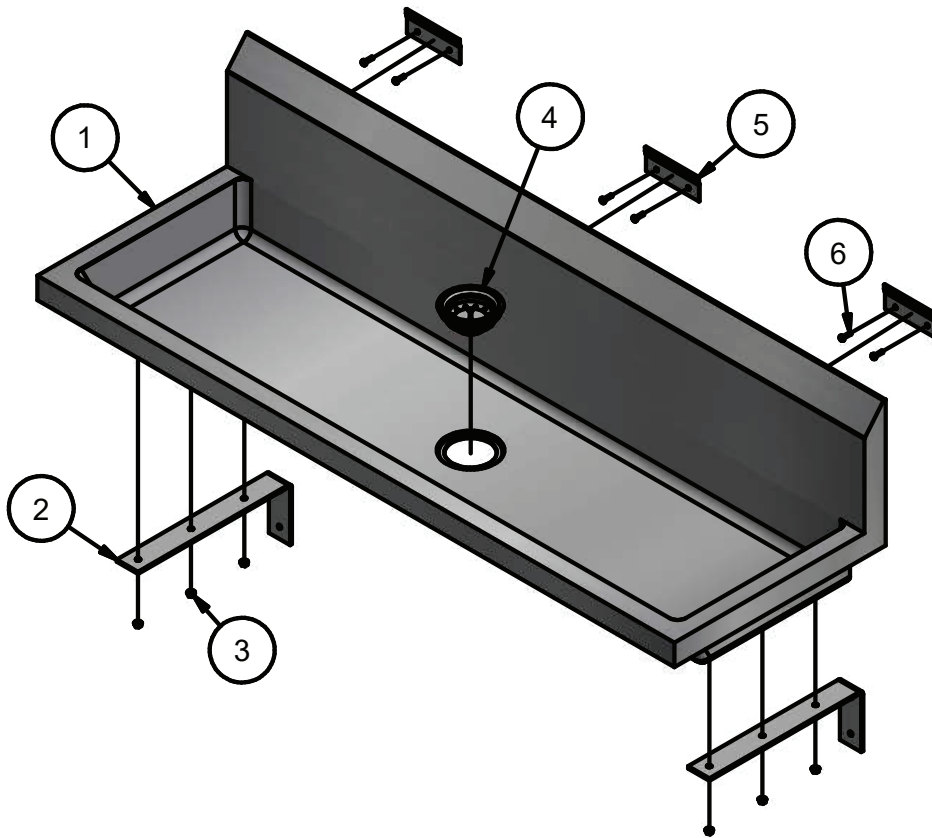


ADA Multistation Handwash Sinks

Stainless Steel Hand Sinks



Use your smart phone to scan the above QR code to visit our website:
www.bk-resources.com



PARTS LIST			
Item	Item #	Qty	Description
1	MSHSXX-ADA	1	Multi-Station Handwash Sink - ADA Compliant
2	MSHS-ADA-MB	2	Mounting Bracket
3	MSHS-LN	6	1/4-20 Lock Nut
4	BKDR-4-304	1	Included Drain
5	Mounting Bracket	See Table Below	
6	Mounting Bracket Screw	See Table Below	

Model #	# of Mounting Brackets	# of Mounting Bracket Screws
MSHS48-ADA	2	4
MSHS60-ADA	3	6
MSHS72-ADA	4	8
MSHS96-ADA	5	10

PRODUCT DATA SHEET

RESOURCES

