



Open Base 5" Riser Top Work Table

Stainless Steel Work Tables



Use your smart phone to scan the above QR code to visit our website:
www.bk-resources.com

Certifications:



Features:

- 1 5/8" Legs
- 5" Riser
- Legs Adjust 1" in Height
- Ships KD
- Two Sound Deadened Integrally Welded 5" C Channels to Reinforce & Maintain Level Working Surface
- 85" & 96" Tables Have 6 Legs

Options:

- Single & Double Overshelves
- Drawer Assemblies
- Casters
- Adjustable Table Mount Pot Rack



Material:

VTTR50B Series: S/S w/ Galvanized Legs

- T-430 18 ga. Stainless Steel Top
- Galvanized Legs & Bracing
- Adjustable High Impact Corrosion Resistant Feet

SVTR50B Series: Stainless Steel w/ Stainless Steel Legs

- T-430 18 ga. Stainless Steel Top
- Stainless Steel Legs & Bracing
- Adjustable Stainless Steel Feet

VTTR50B Series

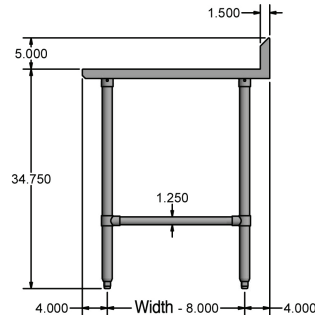
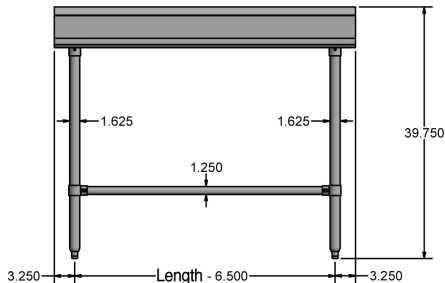
S/S w/ Galv. Legs

Length	T-430 S/S 30" Width	T-430 S/S 24" Width
24"	-	VTTR50B-2424
30"	VTTR50B-3030	VTTR50B-3024
36"	VTTR50B-3630	VTTR50B-3624
48"	VTTR50B-4830	VTTR50B-4824
60"	VTTR50B-6030	VTTR50B-6024
72"	VTTR50B-7230	VTTR50B-7224
84"	VTTR50B-8430	VTTR50B-8424
96"	VTTR50B-9630	VTTR50B-9624

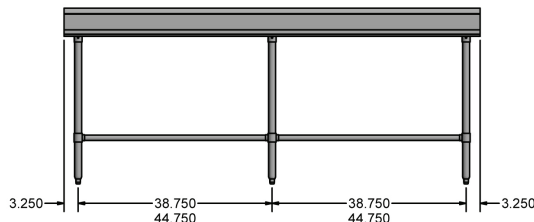
SVTR50B Series

S/S w/S/S Legs

Length	T-430 S/S 30" Width	T-430 S/S 24" Width
24"	-	SVTR50B-2424
30"	SVTR50B-3030	SVTR50B-3024
36"	SVTR50B-3630	SVTR50B-3624
48"	SVTR50B-4830	SVTR50B-4824
60"	SVTR50B-6030	SVTR50B-6024
72"	SVTR50B-7230	SVTR50B-7224
84"	SVTR50B-8430	SVTR50B-8424
96"	SVTR50B-9630	SVTR50B-9624



For 84" & 96" Tables:



PRODUCT DATA SHEET

BK RESOURCES

